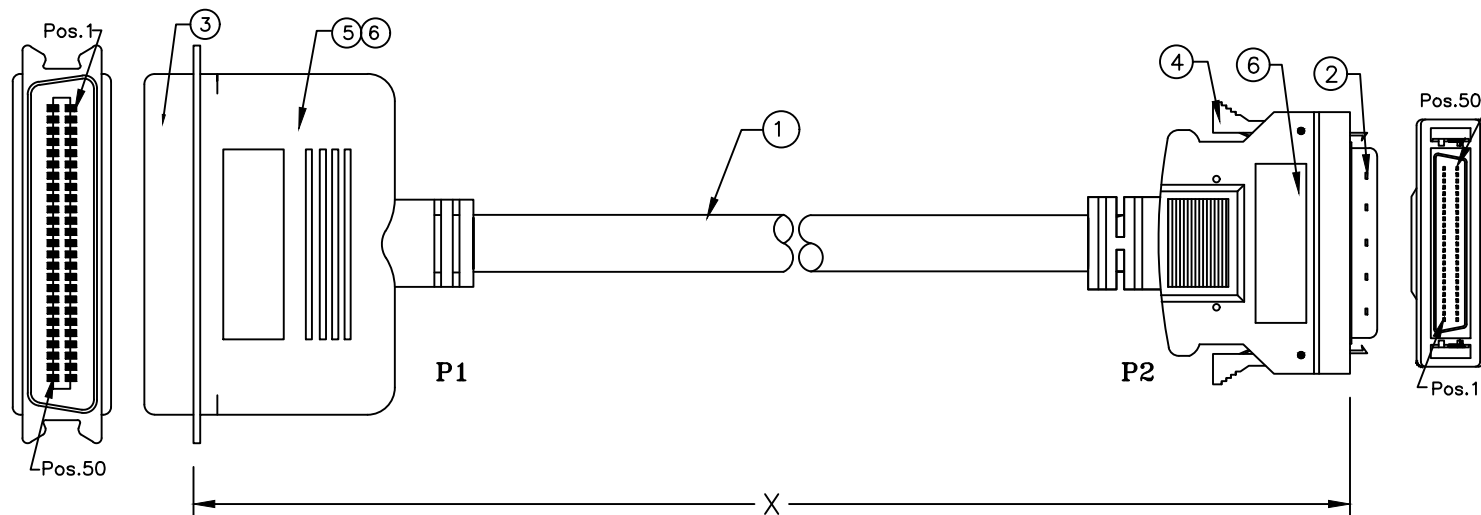
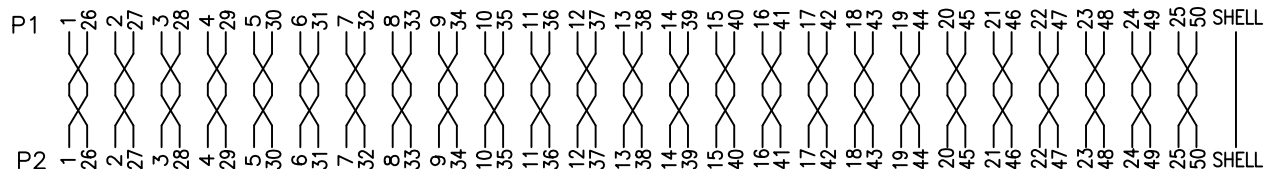


Tooling NO.
CN50:
HPDB50:A960222



PIN ASSIGNMENT:



TABLE

Part No	Length(X)
182-3927 CC50ME50M2850003301E	1000±25
182-3933 CC50ME50M2850006601E	2000±50

Specifications

Shielding 100% of Mylar Foil
Current Rating 2A max
Operating voltage 300V max
Temperature Rating 60°C
Contact Resistance 15m ohm max
Mating Cycles 250



RoHS

6	KG	DBPVCNU040BG01001	Outer Molded PVC Color: Beige(BG01).
5	MM	SFC3010001	Copper Foil 360° Soldered.
4	2 EA	FLHD50NIPXX0001	Latch A4 Type, Color : Beige(BG01).
3	1 EA	CCENT050MBKNIT000002	CN50 Male, Contact: Gold Flash, Insulation: Black Color.
2	1 EA	CHPDB050MBKTIN000014	HPDB50 Male, Contact: Gold Flash, Shell: Tin Plated Insulation: Black Color.
1	1 EA	W299028BG25PB000XM01	UL2990 28AWG 25TW/PR, Al/Foil+Drain +Braid, Color: Beige(BG01).

UNLESS OTHERWISE SPECIFIED
TOLERANCE :
X. ±0.2 ANGLES : ±2°
X.X ±0.1
X.XX ±0.05 DO NOT SCALE DRAWING

DRAWN BY

Tom

CHECKED BY

APPROVED BY

DWG NO.

G182-39XX

TITLE

SCSI II HPDB50M TO SCSI I CEN50M

G00350

SIZE A

UNIT MM

PART NO.

182-39XX

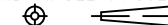
REV.

D

SCALE

0.95:1

THIRD ANGLE PROJECTION



PAGE

1

OF 2

ITEM NO.

DATE

2016/11/14

ITEM QTY U/M

PART NO.

DESCRIPTION

1 2 3 4 5 6 7 8

1 2 3 4 5 6 7 8

A
B
C
D
E
F



RS PN 字高3mm 最小
 RS 規格 字高1.5mm 最小
 產地字高1.5mm 最小
 Made in China

182-39XX
 XM
 Made In China



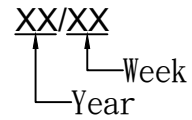
RoHS
 PE
 XX/XX

RoHS狀態 字高1.5mm 最小
 可回收材料標示
 生產周期 (年/周) 字高1.5mm 最小

PRO

條碼 RS PN: 料號中的 “-”不可輸入
 例: 5283705 高~10mm
 Code 128

Note: 1. 1M, Bar code read "1823927".
 2. 2M, Bar code read "1823933".



UNLESS OTHERWISE SPECIFIED TOLERANCE : X. ±0.2 ANGLES : ±2° X.X ±0.1 X.XX ±0.05 DO NOT SCALE DRAWING		TITLE SCSI II HPDB50M TO SCSI I CEN50M		G00350	
DRAWN BY Tom	CHECKED BY	SIZE A	UNIT MM	PART NO. 182-39XX	REV. D
APPROVED BY	SCALE 0.95:1	THIRD ANGLE PROJECTION 		PAGE 2 OF 2	
DWG NO. G182-39XX	ITEM NO.	DATE 2016/11/14			

1 2 3 4 5 6 7 8