



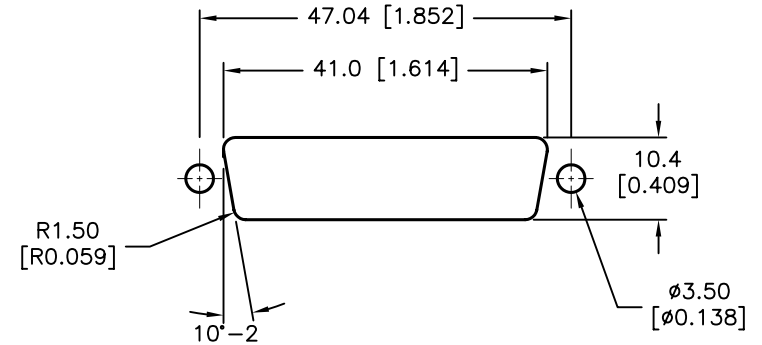
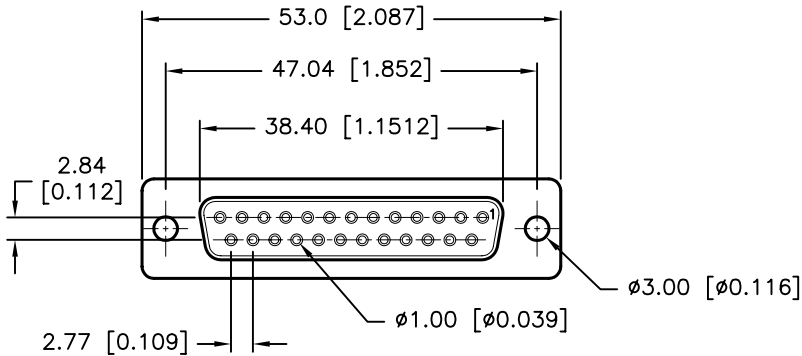
ALL RIGHTS RESERVED. NO PORTION OF THIS PUBLICATION, WHETHER IN WHOLE OR IN PART CAN BE REPRODUCED WITHOUT THE EXPRESS WRITTEN CONSENT OF SPC TECHNOLOGY.

SPC-F005.DWG

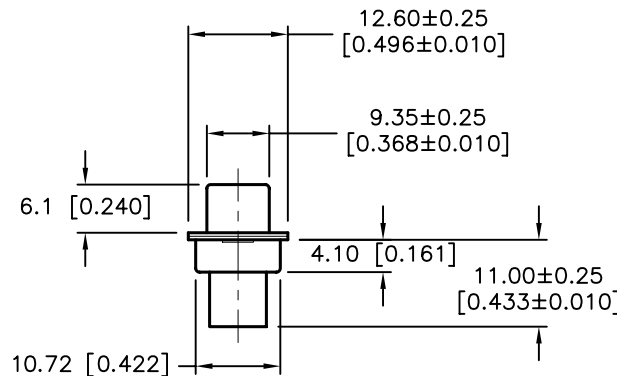
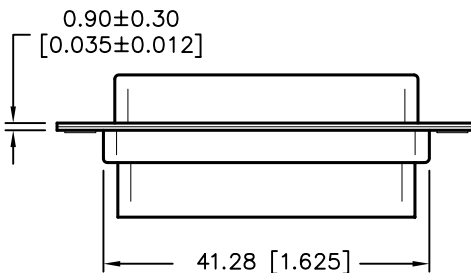
REVISIONS

DOC. NO. SPC-F005 * Effective: 7/8/02 * DCP No: 1398

DCP #	REV	DESCRIPTION	DRAWN	DATE	CHECKD	DATE	APPRVD	DATE
1876	A	RELEASED	EO	07/25/06	SA	07/25/06	HO	07/25/06



PANEL CUTOUT



SPECIFICATIONS:

Shell: Steel, Zinc Yellow Chromated
 Insulator: UL 94V-0 Rated, Black
 1. PBT+30% Fiber Glass
 2. Nylon-66
 Current Rating: 5 Amps
 Contact Resistance: 15 milliohms Max
 Insulator Resistance: 1000 Megohms Min
 Voltage: 500 VAC for 1 Minute
 Temperature: -50°C to +100°C

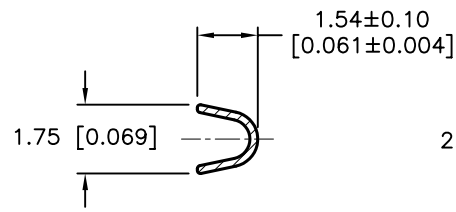
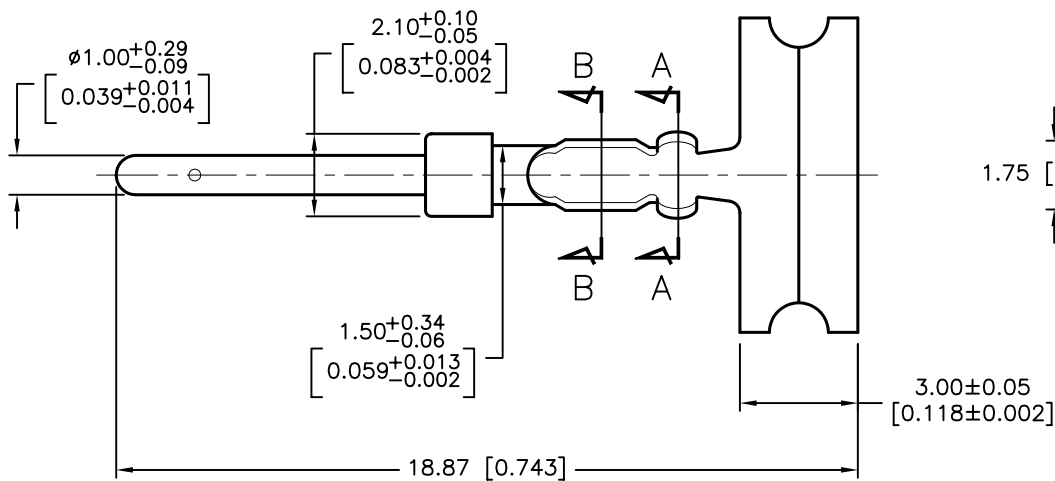
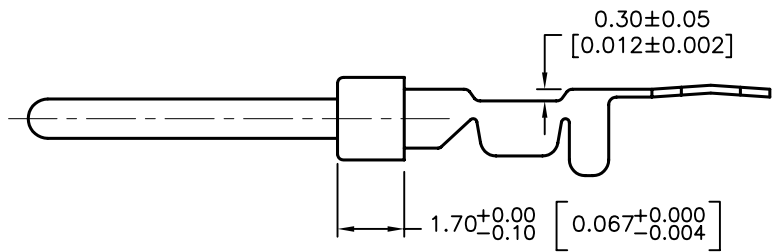
DISCLAIMER: ALL STATEMENTS AND TECHNICAL INFORMATION CONTAINED HEREIN ARE BASED UPON INFORMATION AND/OR TESTS WE BELIEVE TO BE ACCURATE AND RELIABLE. SINCE CONDITIONS OF USE ARE BEYOND OUR CONTROL, THE USER SHALL DETERMINE THE SUITABILITY OF THE PRODUCT FOR THE INTENDED USE AND ASSUME ALL RISK AND LIABILITY WHATSOEVER IN CONNECTION THEREWITH.

TOLERANCES:

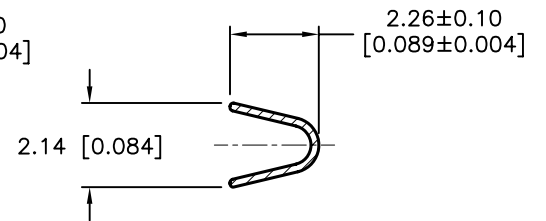
Unless Otherwise Specified
 .X ±0.35 [0.014]
 .XX ±0.15 [0.006]

DRAWN BY:	DATE:
EKLAS ODISH	07/25/06
CHECKED BY:	DATE:
SAMI ALNADI	07/25/06
APPROVED BY:	DATE:
HISHAM ODISH	07/25/06

DRAWING TITLE: 25 Pin Crimp Type D-Sub Plug			
SIZE	DWG. NO.	ELECTRONIC FILE	REV
A	SPC15272	79K4869.DWG	A
SCALE: NTS	U.O.M.: mm [INCHES]	SHEET: 1 OF 2	



SECTION: B-B



SECTION: A-A

SPECIFICATIONS

Contact: Brass, Stamped Gold-Plated
on Contact Area Nickel-Plated
on Crimp-Area

SIZE A	DWG. NO. SPC15272	ELECTRONIC FILE 79K4869.DWG	REV A
SCALE: NTS	U.O.M.: mm [INCHES]	SHEET: 2 OF 2	