

## FEATURES

- Operating force: 2N - 5N
- Contact bounce: 10 ms
- Mechanical life: 1000000 cycles
- Soldering: 350°C maximum for 5 seconds

# RS PRO Single Pole Single Throw (SPST) Latching Miniature Push Button Switch, IP67, 13.6 (Dia.)mm, PCB, 30Vdc

RS Stock No.: 820-7549



RS Professionally Approved Products bring to you professional quality parts across all product categories. Our product range has been tested by engineers and provides a comparable quality to the leading brands without paying a premium price.

## Product Description

This Sub-Miniature push button switch with momentary switch operation and 1-pole on-off switch from our own RS PRO brand offer an excellent mechanism for controlling a machine or a process.

A cap is made from high-quality Polyamide 6/6 with gold over silver plated contact. Push button switches available with threaded bushing or snap in panel mounting.

## General Specifications

|                              |   |
|------------------------------|---|
| <b>Switch Operation</b>      | Latching  |
| <b>Contact Configuration</b> | Single Pole Double Throw (SPDT)                                     |
| <b>Illuminated</b>           | No  |
| <b>Case colour</b>           | Black   |
| <b>Actuator Colour</b>       | Black   |
| <b>Actuator Shape</b>        | Dome  |
| <b>Package Contain</b>       | 1 x Nut, 1 x Locking washer, 1 x splash proof O-Ring                |
| <b>Applications</b>          | Test Equipment, Telecommunications, Networking, Handheld Appliances |

| Material Characteristics |                         |
|--------------------------|-------------------------|
| <b>Case</b>              | Glass filled Nylon 6/6  |
| <b>Bushing</b>           | Polyamide 6/6           |
| <b>Cap</b>               | Polyamide 6/6           |
| <b>Contact</b>           | Gold over silver plated |
| <b>Terminals</b>         | Gold over silver plated |

## Electrical Specifications

|                       |                              |
|-----------------------|------------------------------|
| <b>Voltage Rating</b> | 30V dc                       |
| <b>Terminal Type</b>  | Solder Lug                   |
| <b>Actuator Type</b>  | Cab                          |
| <b>Soldering</b>      | 350°C maximum for 5 seconds. |

| Contact Specifications           |  |
|----------------------------------|--|
| <b>Contact DC Voltage Rating</b> | 24V  |
| <b>Contact Current Rating</b>    | 100 mA @ 24 V dc                           |
| <b>Insulation Resistance</b>     | 1000M-ohms min                             |
| <b>Dielectric Strength</b>       | 1000 VAC rms                               |
| <b>Electrical Life</b>           | 200,000 make-and-break cycles at full load |

## Mechanical Specifications

|                               |                                    |
|-------------------------------|------------------------------------|
| <b>Mounting Type</b>          | PCB                                |
| <b>Panel Cut Out Size</b>     | 13.6 (Dia.)mm                      |
| <b>Panel Cut Out Diameter</b> | 13.6mm                             |
| <b>Mechanical Life</b>        | Without load, 1000,000 cycles min. |
| <b>Actuating Force</b>        | 2N~5N max                          |
| <b>Torque</b>                 | 0.5 Nm max. (Applied to nut.)      |

## Operation Environment Specifications

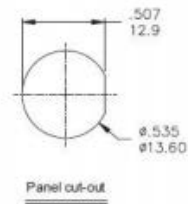
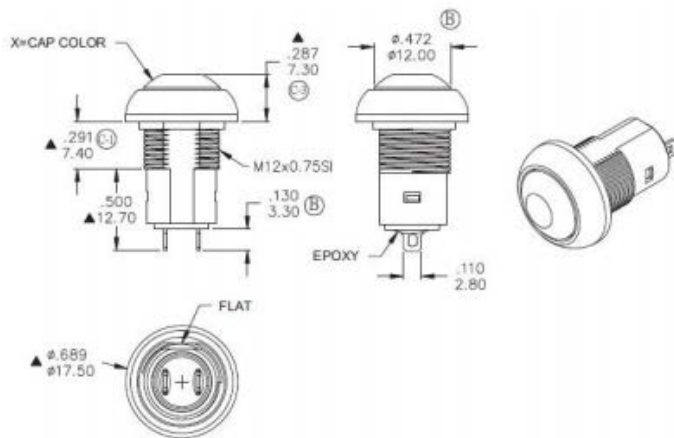
|                                      |   |
|--------------------------------------|---|
| <b>Maximum Operating Temperature</b> | 85°C  |
| <b>Minimum Operating Temperature</b> | -30°C   |
| <b>Cold Test</b>                     | Stored at temperature $-30(+/-3)$ Celsius degree for 96 hours,  |
| <b>Hot Test</b>                      | Stored at temperature $+85(+/-3)$ Celsius degree for 96 hours, shall result no changes to switch's electrical performance                               |
| <b>Humidity Test</b>                 | Stored at temperature $40(+/-3)$ Celsius degree with relative humidity 90%~95% for 48 hours, shall result no changes to switch's electrical performance |

## Protection Category

|           |      |
|-----------|------|
| IP Rating | IP67 |
|-----------|------|

## Approvals

|                           |      |
|---------------------------|------|
| Compliance/Certifications | RoHS |
|---------------------------|------|



| Model No.   | POS.1 | POS.2 |
|-------------|-------|-------|
|             |       |       |
| Term. Comm. | OPEN  | 1-3   |
| SCHEMATIC   |       |       |

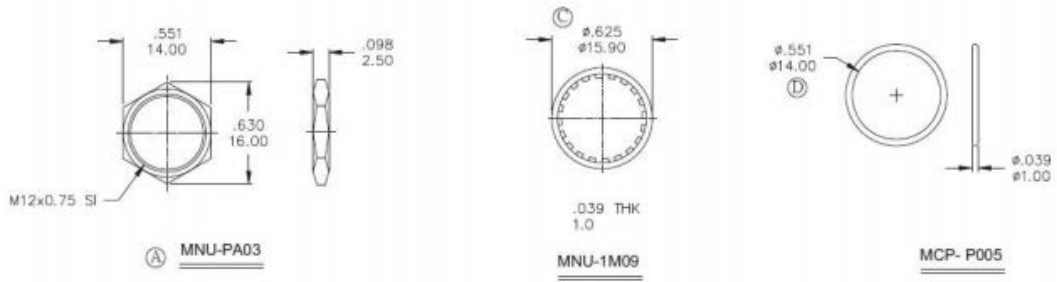
### SWITCH FUNCTION

| PART NO.   | PART NAME           | QTY |
|------------|---------------------|-----|
| 1 MNU-PA03 | M12 X 0.75 NUTS     | 1   |
| 2 MNU-1M09 | LOCKING WASHER      | 1   |
| 3 MCP-P005 | SPLASH PROOF O-RING | 1   |

FILE NAME: HARDWARE-0012

### CESX-5

| X=CAP COLOR |        |
|-------------|--------|
| 1           | White  |
| 2           | Black  |
| 3           | Red    |
| 4           | Orange |
| 5           | Yellow |
| 6           | Green  |
| 7           | Blue   |
| 8           | Brown  |
| 9           | Gray   |



| PART NO. | PART NAME | QTY                 |   |
|----------|-----------|---------------------|---|
| 1        | MNU-PA03  | M12 X 0.75 NUTS     | 1 |
| 2        | MNU-1M09  | LOCKING WASHER      | 1 |
| 3        | MCP-P005  | SPLASH PROOF O-RING | 1 |