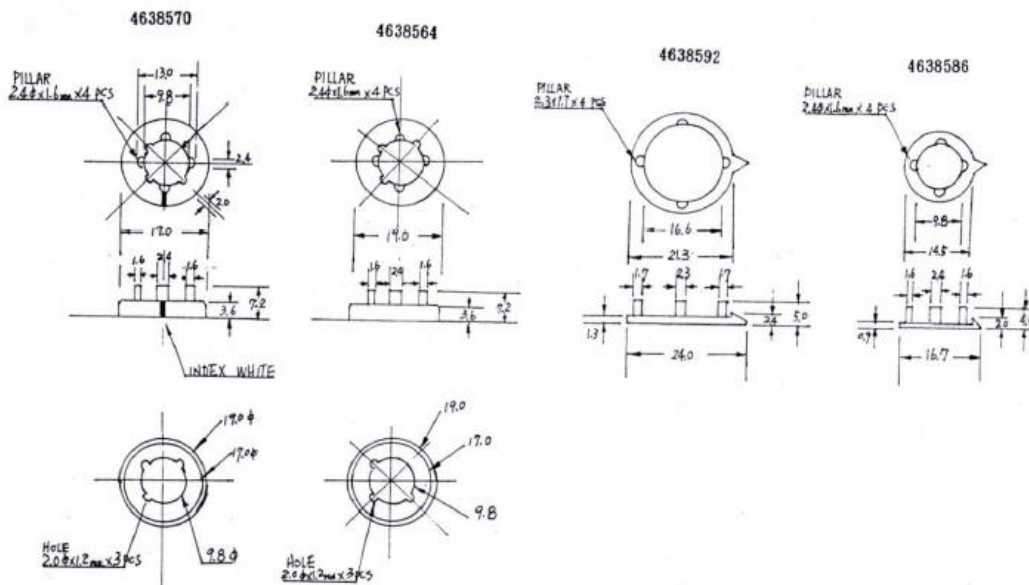


# Datasheet

## RS Potentiometer Knob

RS Stock number [463-8592](#)

Dimensions: mm



### Specifications

6.35mm for fitting on spindles

Available for Ø 6.4, 6.0 and 3.2 mm shaft sizes.