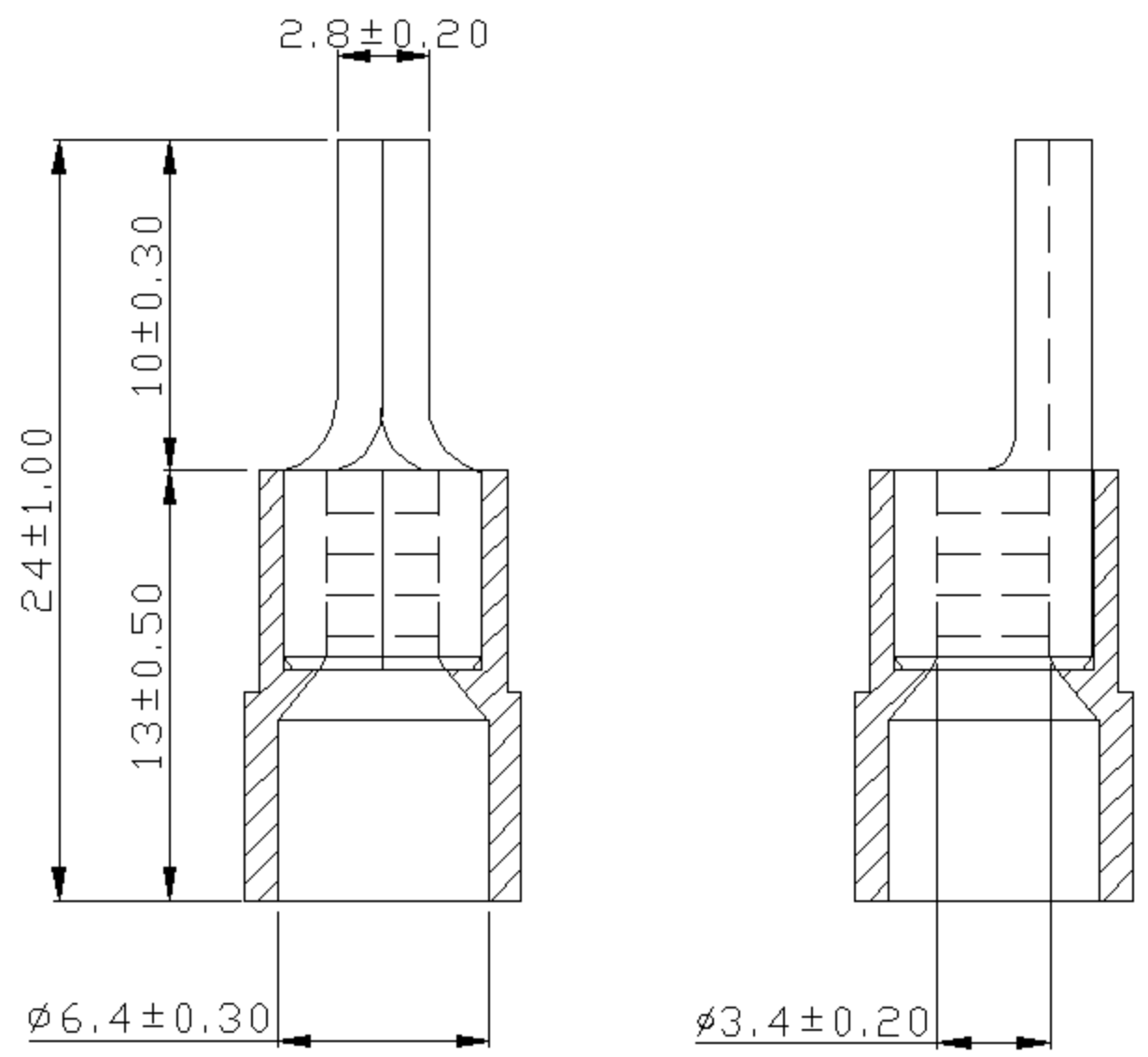


A B C D E F G H

REV	DESCRIPTION	DATE
-----	-------------	------

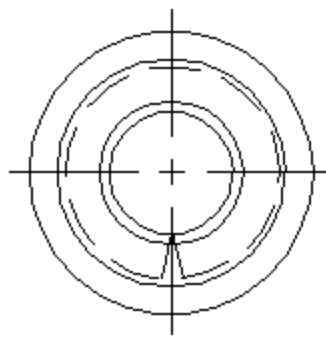


NOTE:

1. MAXIMUM ELECTRIC CURRENT :

A.W.G.	12	10	
AMP.	35	50	
2. MAXIMUM ELECTRICAL RATING : 75°C 600 VOLTS MAX.
3. INSULATION MATERIAL : VINYL
4. INSULATION COLOR : YELLOW
5. TERMINAL MATERIAL : COPPER
6. WIRE RANGE : 12-10 A.W.G.(4-6 mm²)
7. TERMINALS SURFACE TREATMENT : TIN PLATED
8. TERMINALS THICKNESS : 1.0 mm

Tolerance Unless Otherwise Specified	
0 > 6 mm ± 0.20	ANGLE
6 > 18 mm ± 0.30	0° REF ±
18 > 30 mm ± 0.40	±
30 > 75 mm ± 0.50	±



NAME	VINYL-INSULATED (MOLDED) PIN TERMINALS				UNIT	mm	
PART NO.	PTVY5-10	MATERIAL	-----	APPROVE	張馨尹		
NUMBER	KA-95897-C	SCALE	SHEET	PAGE	CHECKED	楊學壽	
DATE	2006/07/20	3/1	1-0	10F1	DRAWN	張馨尹	

A B C D E F G H