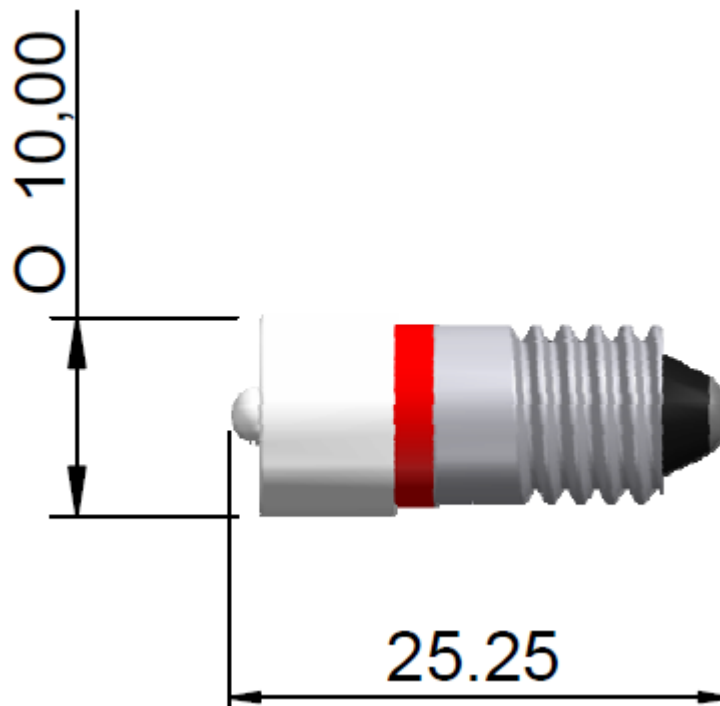


## Datasheet

### LED Indicator Lamp

RS Stock number 203-638

Dimensions (mm):



LED/Multiled	LED	Optimum voltage (V)	24Vac/dc	Intensity	1750mcd
Mounting Size	10x25mm	Rectifier	Half Wave		
Mounting Finish		AC current	9mA		
Protection	-	DC current	17mA		
Mount Holder	E10	Voltage Tolerance (%)	10%		
Chip Qty	8	Optimum temperature (°C)	-30°C...+60°C		
Indicator colour	Red	Storage temperature (°C)	-30°C...+60°C		
Wavelength (nm)	630	Contact Tab	E10 Cap		



*Dimension in mm (typical), not to scale.  
We reserve the right to make changes without further notice to this product to improve reliability, function or design.*