

FEATURES

- Chrome plated brass ball for longer life
- Compression fitting connection type
- Handle clearly shows ball position
- No metal-to-metal moving parts
- No maintenance ever required

RS PRO Brass High Pressure Ball Valve 2 Way

RS Stock No.: 486-306



RS Professionally Approved Products bring to you professional quality parts across all product categories. Our product range has been tested by engineers and provides a comparable quality to the leading brands without paying a premium price.

Product Description

RS PRO quarter-turn manual ball valves feature a dual sealing system that allows the valve to be operated in either direction making installation easier. Manual ball valves are used to operate shut off valves which control water flow and pressure. With no metal-to-metal moving parts and a chrome plated ball, the RS PRO manual valves provide simple shut-off functionality for a range of applications such as drinking water, water and plumbing. The manual turn lever can be operated in either direction and features indicating arrows to clearly show the position of the ball and flow of media within the valve. Suitable for domestic water services, heating and air-conditioning plants and compressed air systems.

General Specifications

| | |
|---------------------------------|---|
| Attachment Type | Compression |
| Body Material | Brass |
| Compression Fitting Size | 22mm |
| Thread Size | 22mm |
| Safe For Use With | Gas, Oil, Petrol, Water |
| Type | 2 Way |
| Application | Heating systems; Water treatment; Liquid flow control |

Mechanical Specifications

| | |
|------------------------|------|
| Connection Size | 22mm |
|------------------------|------|

Operation Environment Specifications

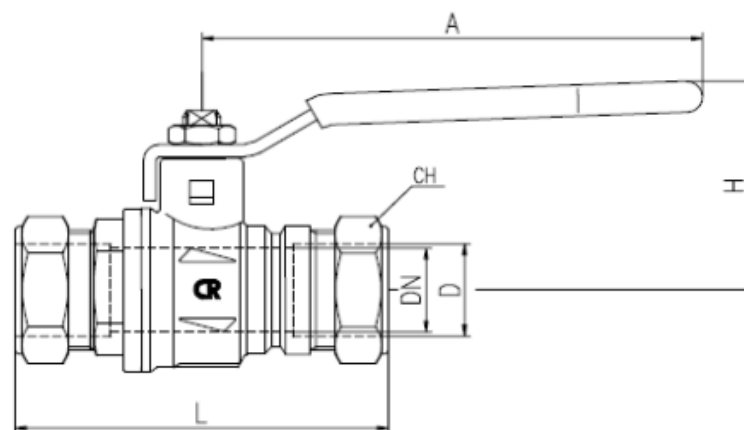
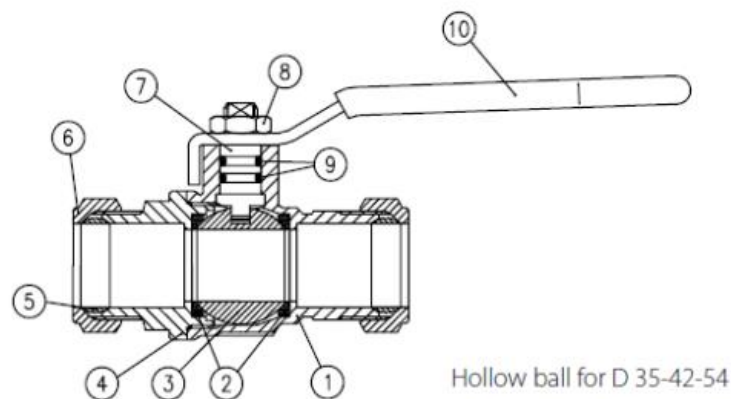
| | |
|---------------------------------|--------|
| Maximum Working Pressure | 16 bar |
|---------------------------------|--------|

Approvals

| | |
|----------------------------------|---|
| Compliance/Certifications | WRAS (UK), KIWA-Swedcert (Sweden), GOST-R (Russia), Expert Conclusion (Russia), EAC Conforming (Russia), UkrSepro (Ukraine), RoHS Compliant, ISO 6509 |
|----------------------------------|---|

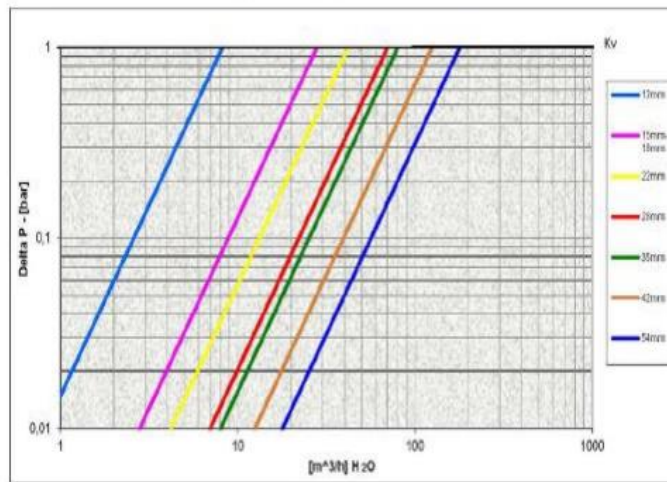


| PART DESCRIPTION | | Q.TY | MATERIAL |
|------------------|--|------|----------|
| 1 | Unplated body | 1 | CW602N |
| 2 | Ball seat | 2 | PTFE |
| 3 | Chrome plated ball | 1 | CW602N |
| 4 | Unplated end cap | 1 | CW602N |
| 5 | Olive | 2 | CW617N |
| 6 | Unplated nut | 2 | CW617N |
| 7 | Unplated stem O-ring design | 1 | CW602N |
| 8 | Geomet® nut | 1 | CB4FF |
| 9 | O-Ring | 2 | FPM |
| 10 | White PVC coated Geomet® steel handle | 1 | DD11 |



| Valve code | S28C12 | S28D15 | S28D18 | S28E22 | S28F28 | S28G35 | S28H42 | S28I54 |
|------------|--------|--------|--------|--------|--------|--------|--------|--------|
| D (mm) | 12 | 15 | 18 | 22 | 28 | 35 | 42 | 54 |
| DN (mm) | 10 | 15 | 15 | 20 | 25 | 32 | 40 | 50 |
| L (mm) | 67 | 72 | 78.5 | 79 | 90.5 | 110 | 128.5 | 142 |
| A (mm) | 100 | 100 | 100 | 120 | 120 | 158 | 158 | 158 |
| H (mm) | 38 | 43 | 43 | 50 | 54 | 73 | 79 | 86 |
| CH (mm) | 19 | 24 | 27 | 32 | 38.5 | 48 | 54 | 70 |

Pressure Drop Chart



Pressure-Temperature Chart

