

FEATURES

- Y Distributor: 2 inputs into 1 output
- Standard coding A with a straight socket
- Parallell distributor

RS PRO Y-SPLITTER M08 MALE 3 PIN TO 2X M08 FEMALE 3 PIN

RS Stock No.: 2080602



RS Professionally Approved Products bring to you professional quality parts across all product categories. Our product range has been tested by engineers and provides a comparable quality to the leading brands without paying a premium price.

Product Description ATTRIBUTE 1

M08 3-Pole Y-Splitter

The 3-pole Y distributors come in a variation of M8 & M12 outputs. They're unshielded connectors with the coding of 'A' and will allow you to connect two sensor-actuator cables and output them via 1 single M8 or M12 connection.

Features and benefits:

- Y Distributor: 2 inputs into 1 output
- Standard coding A with a straight socket
- Parallell distributor

Technical Specifications

	I/P End	O/P 1	O/P 2
Connector	M8, Male	M8, Female	M8, Female
Rated Voltage	30V	30V	30V
Coding	A	A	A
Number of pins	3	3	3
Current (at 40°C)	4A	4A	4A
Contact material	CuZn, Ni/Au (Gold Flash)	CuZn, Ni/Au (Gold Flash)	CuZn, Ni/Au (Gold Flash)
Contact carrier material	Nylon 66	Nylon 66	Nylon 66
Coupling nut material	CuZn, nickel plated	CuZn, nickel plated	CuZn, nickel plated

Insulation resistance	$\geq 10^8 \Omega$
Ambient temperature	-25°C...+85°C
Sealing material	Neoprene
Grip body material	TPU, Black
Shielding	No
Mechanical life-cycle	>100 mating cycles
Degree of pollution	3
Standards	IEC 61076-2-104

Protection Category

Degree of Protection	IP67
----------------------	------

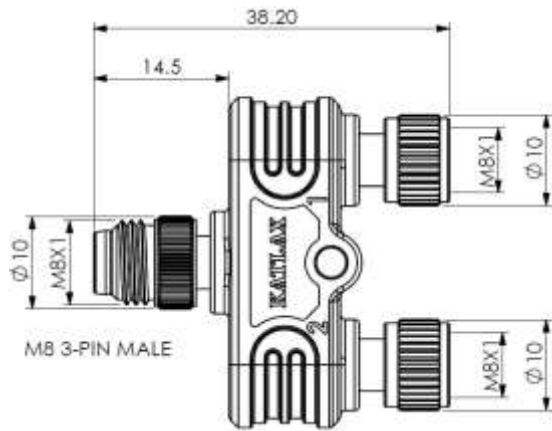
Additional Information

Custom Tariff Number	85369090
----------------------	----------

Similar Products

Stock No.	Brand	Product Name	Attribute 1	Attribute 2
-	-	-	-	-

Connection Diagrams / Assembly Diagrams / Illustrations / Accessories



All Dimensions are in mm.

