

## FEATURES

- Top performances at minimal or maximal pressure drop
- Compact and robust construction
- Quick traceability with laser-printed code on the body

# RS PRO Pilot Valve 2/2NC 1/4 ORI.5 C.13 FKM

RS Stock No.: 2312786



RS PROfessionally Approved Products bring to you professional quality parts across all product categories. Our product range has been tested by engineers and provides a comparable quality to the leading brands without paying a premium price.

## Product Description

The RS PRO pilot valve 2/2nc 1/4 ori.5 c.13 FKM has 40 bar maximum allowable pressure. The body is made up of stainless steel. It is use to control liquid and gaseous media with a clean and compact design.

A solenoid valve is an electrically controlled valve that allows the flow of liquid or gaseous fluids through the orifice of the valve. The valve opens or closes when the internal plunger moves when a magnetic field is created.

## General Specifications

<b>Maximum Working Pressure</b>	40bar
<b>Application</b>	Pneumatic Automation, Robotics, Handling, Automotive Process, Textile, Packaging, Heavy Duty, Food Process

Materials	
<b>Body/Sub-Base</b>	Stainless Steel
<b>Softseal Spool</b>	FKM

## Electrical Specifications

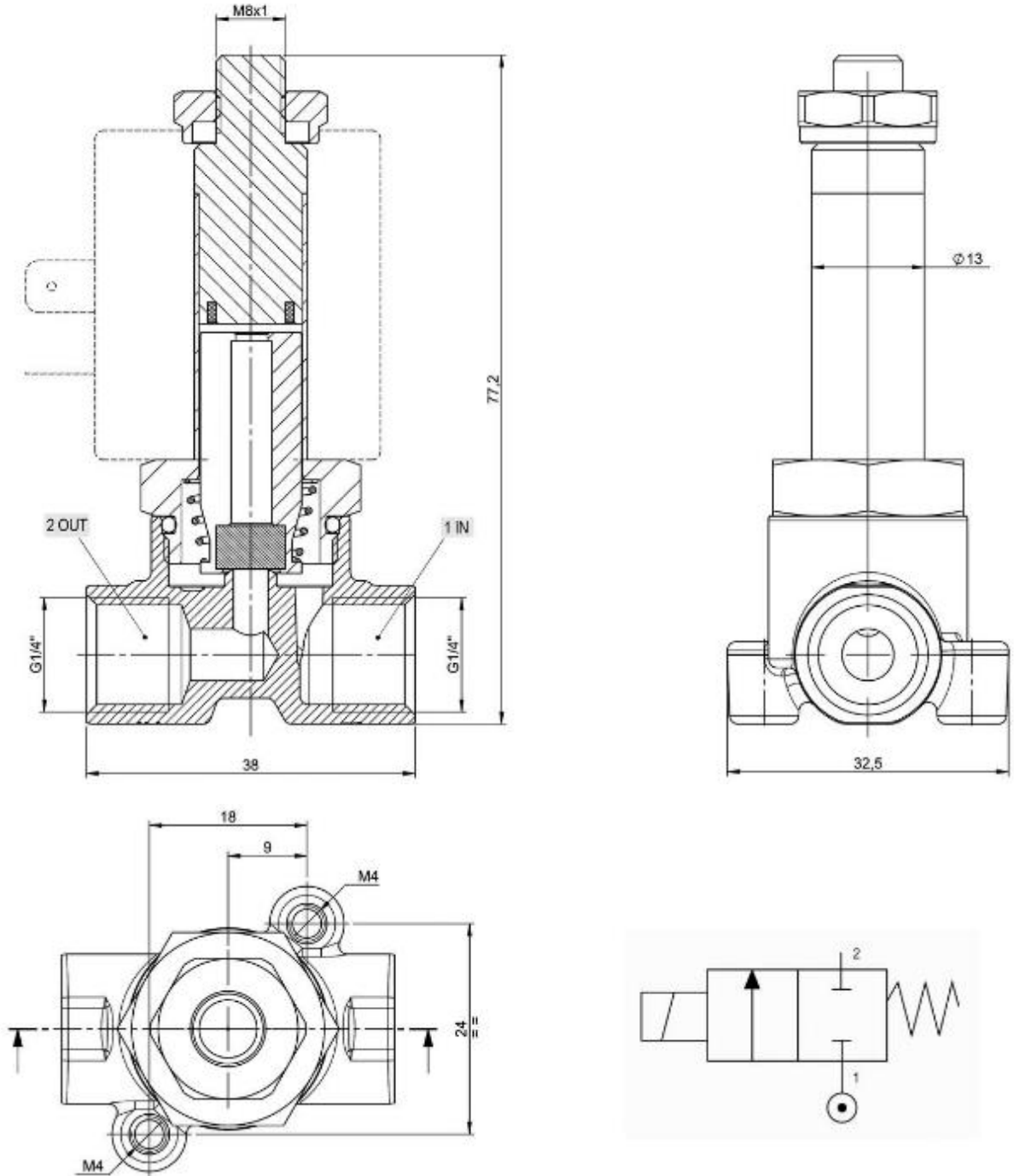
<b>Function</b>	BSP 1/4
<b>Actuation Type</b>	Solenoid Valve
<b>Kv Value (m3/h)</b>	0,06

## Mechanical Specifications

<b>Connection Port Thread</b>	Solenoid
<b>Thread Size</b>	1/4in
<b>Mounting Style</b>	2/2 NC

## Similar Products

Parameters	2312797	2312798
<b>Brand</b>	<b>RS PRO</b>	<b>RS PRO</b>
<b>Maximum Working Pressure</b>	25 bar	25 bar
<b>Kv Value (m3/h)</b>	10.97	10.97
<b>Thread Size</b>	1in	1in



Seals	Thread Size	Ø mm	Viscosity Max cSt	Kv m <sup>3</sup> /h	Power		P bar	
	ISO228				AC W	DC VA	min	max
FKM	1/4in	5	53	0.51	22	-	0	5.8