

Product Datasheet

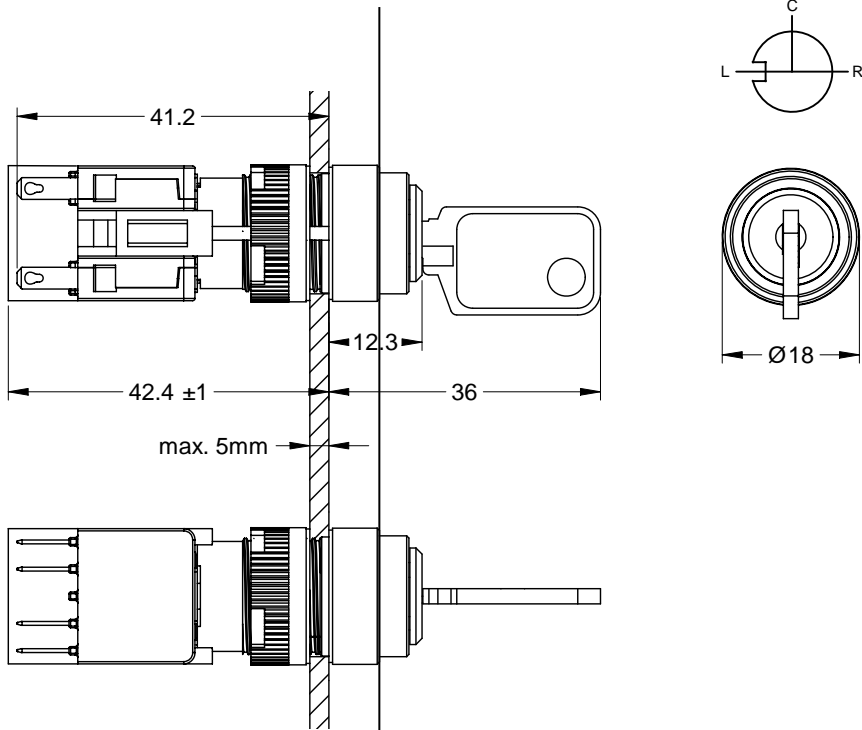
Switch Keylock 3 position Alternate



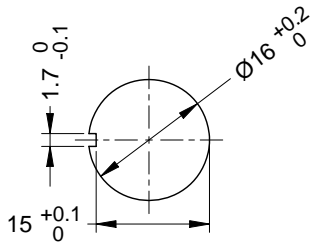
Product Specifications

Mechanical lifetime	> 0.2 million operations
Electric rating	250V AC 5A
Max. insulation voltage	>1500V 60HZ 1minute between all terminals
Motion tolerance	< 20 operation / minute
Panel thickness	0.5mm ~ 5mm
Degree of protection	IP 65
Storage temperature	- 40°C to +70°C
Operating temperature	- 25°C to +55°C with lamp (- 25°C to +70°C without lamp)
Contact resistance	< = 50mΩ (initial)

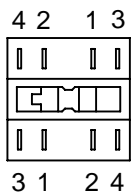
Soldering/Plug-in Type Keylock Switches



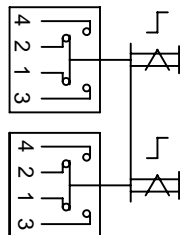
Hole Dia



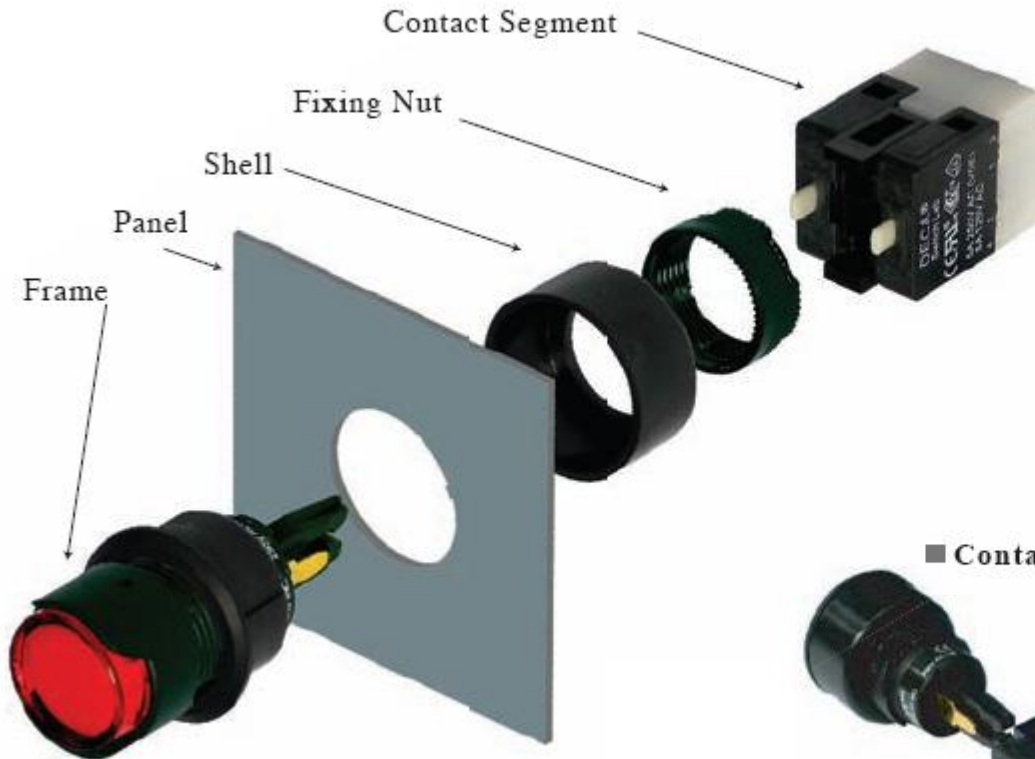
Bottom View



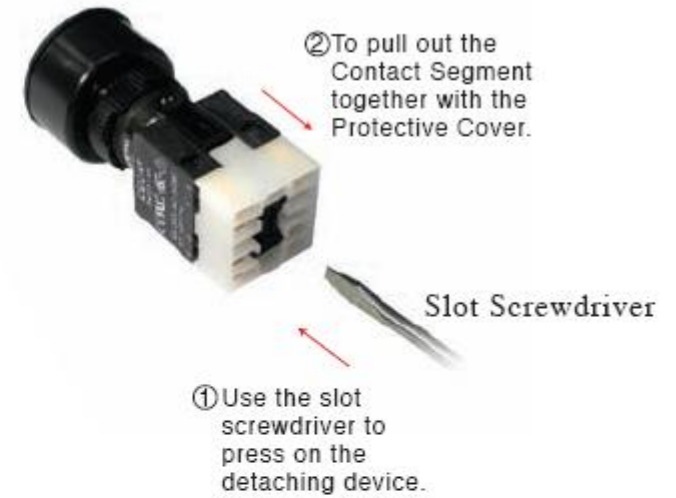
Electrical Diagram



CONFIGURATION



■ Detachment of the Contact Assembly



■ Contact Assembly



■ Protective Cover is detachable

Hook of the Protective Cover

