



ENGLISH

# Datasheet

## 4P DIN Cable Jack

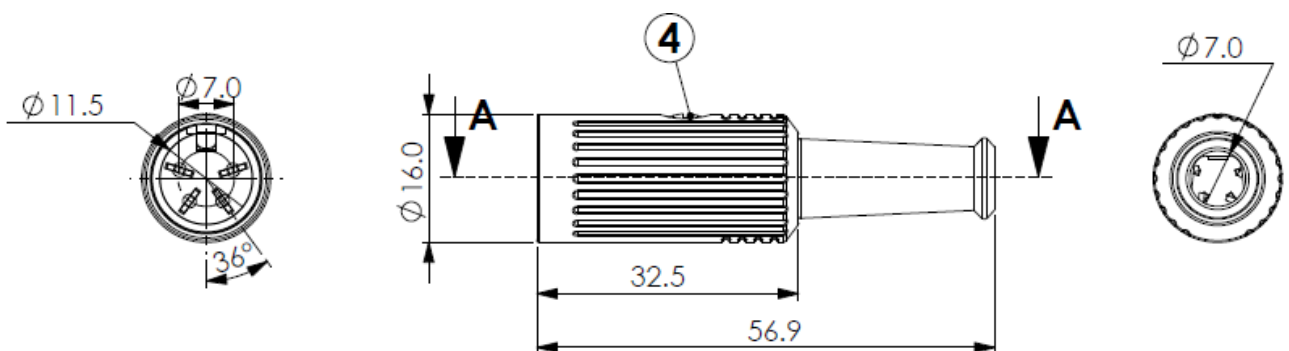
RS Stock number 491-077

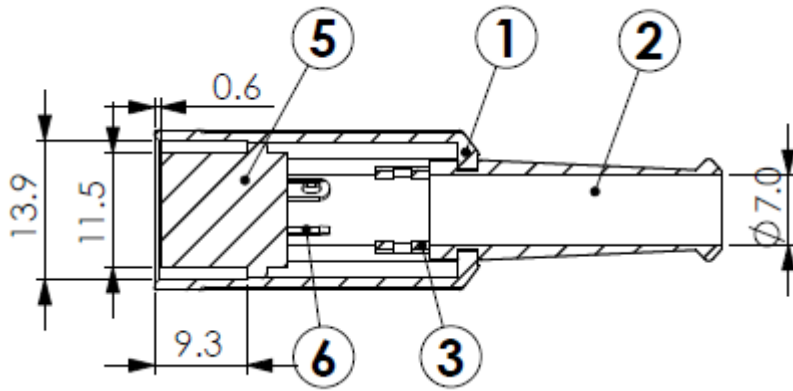


### Specifications:

Rating:	100V AC 4A max.
Contact Resistance:	pins-30mΩ max; shell-50m Ω max.
Insulation Resistance:	100MΩ min. at 500V DC
Dielectric Strength:	250V AC R.M.S. for 1 minute

### Dimensions(mm)





No.	Description	Material	Treat
1	Shield Cover	Zn Alloy	Nickel Ptd.
2	Strain Boot	PVC	
3	'T' Holder	Steel	Nickel Ptd.
4	Setscrew	Steel	Nickel Ptd.
5	Housing	ABS	
6	Terminals	Brass	Silver Ptd.