

Datasheet

RS PRO Compact Economy, regulated, 240 W

Stock No: 192-7572



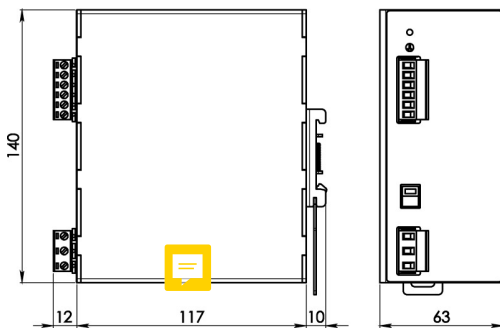
Technical Specifications:

Input	
Number of phases	1
Rated voltage U_N	AC 120 / 230 V (manual)
Operation voltage range	AC 90–132 V / AC 187–264 V, DC 270–345 V
Line frequency	47–63 Hz
Rated current I_N	4 A @ AC 115 V / 2 A @ AC 230 V
Inrush current	30 A @ AC 115 V / 35 A @ AC 230 V
Internal fuse	T6, 3 A/AC 250 V
External fuse	Mini-circuit breaker: C 10 A
Power factor correction P.F.C.	>0.6

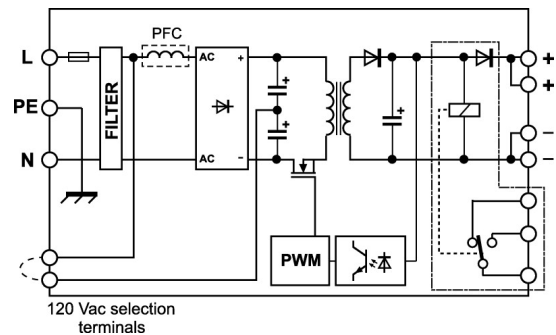
Features & Benefits:

- 1 piece
- Power supply
- Compact Economy, regulated, 240 W
- Primary switchmode power supply, PFC, Single-phase
- Input: AC 90–132 V, AC 187–264 V, DC 270–345 V
- Output: 48 V, adjustable

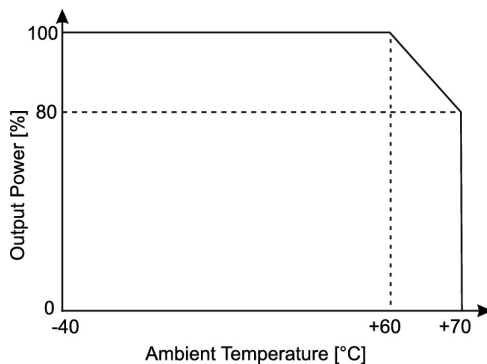
Dimensions



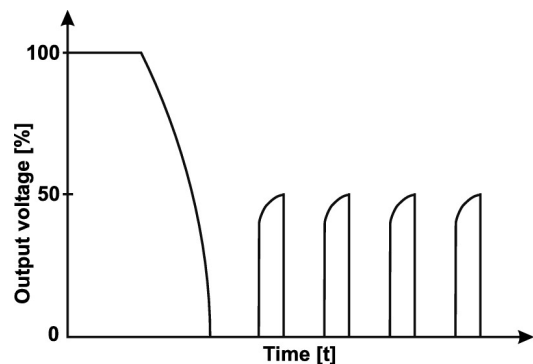
PIN assignment



Derating



Short circuit characteristics



Technical Data

Input	
Number of phases	1
Rated voltage U_N	AC 120 / 230 V (manual)
Operation voltage range	AC 90–132 V / AC 187–264 V, DC 270–345 V
Line frequency	47–63 Hz
Rated current I_N	4 A @ AC 115 V / 2 A @ AC 230 V
Inrush current	30 A @ AC 115 V / 35 A @ AC 230 V
Internal fuse	T6, 3 A/AC 250 V
External fuse	Mini-circuit breaker: C 10 A
Power factor correction P.F.C.	>0.6

Output	
Rated voltage U_N	DC48V
Rated current I_N	5 A
Max. output current	6.9 A, 30 s @ 24 V
Short-circuit current	20 A, 160 ms
Heat dissipation	<34 W
Setting range $U_{out\ min.}/U_{out\ max.}$	45-55 V
Load regulation	$\pm 1\%$
Ripple and Noise	100 mV
Hold up time	>80 ms @ AC 120 V / >90 ms @ AC 230 V
Status indication DC ON LED green	$\geq 43.2\ V$
Status indication DC LOW LED red	$\leq 43.2\ V$
Parallel / redundant mode	max. 2 devices / via external decoupling diodes
Efficiency	90 %
Over voltage protection	yes
Rated over load protection	yes
Short circuit	Hiccup Mode

Technical Data

Monitoring	
DC ON Control (Rdy)	N/O contact
Switching voltage	AC 300 V / DC 150 V
Switching current	AC/DC 1 A
Switching capacity	300 VA / 30 W
Isolation voltage	AC 500 V

General	
Switching frequency	approx. 110 kHz
Insulation voltage input / output	DC 4.2 kV
Insulation voltage input / ground	DC 2.2 kV
Insulation voltage output / ground	DC 750 V
Derating	>60 °C: -5 W/°C
Operation temperature range	-40 °C ... +70 °C (UL certified up to +50 °C)
Storage temperature range	-40°C...80°C
Relative air humidity	20 – 90 % RH, not condensing
Cooling	Air convection, 100 mm distance top/bottom, 20 mm side
Housing material	Aluminum
Mounting	DIN rail mountable TS35 (EN 60715)
Installation position	vertical
Shock resistance	30 g 6 ms, 20 g 11 ms, 3 shocks/direction, 18 shocks in total, IEC60068-2-27: 2008
Vibration resistance	5 – 17.8 Hz: ±1.6 mm, 17.8 – 500 Hz: 2 g 2 hours/axes X,Y,Z, IEC 60068-2-6: 2007
Protection class	IP20 (IEC 529 / EN 60529)
Protection class	I
Over voltage category	III
Degree of pollution	2
Weight	0,75 kg/piece
Connection type	Screw terminal 0.20 mm ² – 2.5 mm ² plug-in max. 0.56 Nm
Dimensions (w × h × d)	63×140×139 mm
Certifications	cULus (E249179)

Technical Data

Standards	IEC 950
	EN 60950
	UL 60950
	EN 61000-4-2/3/4/5/6/11
	EN 61000-6-2
	EN 61000-6-4
	EN 50178
	EN 61558
	EN 50081-1
	EN 50082-2
	EN 55022 Class B
MTBF	>500000 h: SN29500 / >150000 h: MIL HDBK 217F
PU	1 piece