



Main

| | |
|-------------------------------------|---|
| Range of product | Modicon Power Supply |
| Product or component type | Power supply |
| Power supply type | Regulated switch mode |
| Nominal input voltage | 380...500 V AC three phase, terminal(s): L1, L2, L3 |
| Rated power in W | 960 W |
| Output voltage | 24 V DC |
| Power supply output current | 40 A |
| Permissible temporary current boost | 1.5 x I _n (for 4 s) |
| Anti-harmonic filter | Low frequency harmonic currents |

Complementary

| | |
|---------------------------|--|
| Input voltage limits | 320...550 V AC |
| Inrush current | 25 A |
| Power factor | 0.85 at 24 V DC |
| Efficiency | 92 % |
| Output voltage adjustment | 24...28.8 V adjustable |
| Power dissipation in W | 76.8 W |
| Provided equipment | Power factor correction filter conforming to IEC 61000-3-2 |
| Output protection type | Against overload, protection technology: manual or automatic reset Against overvoltage, protection technology: 30...32 V, manual reset Against short-circuits, protection technology: manual or automatic reset Against undervoltage, protection technology: tripping if U < 21.6 V Thermal, protection technology: automatic reset |
| Connections - terminals | Removable screw terminal block: 2 x 2.5 mm ² , for diagnostic relay Screw type terminals: 3 x 0.5...3 x 4 mm ² , (AWG 22...AWG 12) for input connection Screw type terminals: 1 x 0.5...1 x 4 mm ² , (AWG 22...AWG 12) for input ground connection Screw type terminals: 4 x 0.5...4 x 10 mm ² , (AWG 22...AWG 8) for output connection |
| Status LED | 1 LED (green and red) output voltage 1 LED (green, red and orange) output current |
| Depth | 160 mm |
| Height | 143 mm |
| Width | 166 mm |
| Net weight | 2.7 kg |
| Output coupling | Parallel Series |
| Marking | CE |
| Mounting support | 35 x 7.5 mm symmetrical DIN rail 35 x 15 mm symmetrical DIN rail |
| Operating position | Vertical |
| Supply | SELV conforming to IEC 60950-1 SELV conforming to IEC 60204-1 SELV conforming to IEC 60364-4-61 |
| Dielectric strength | 3500 V with between input and ground 4000 V with between input and output 500 V with between output and ground |

The information provided in this documentation contains general descriptions and/or technical characteristics of the performance of the products contained herein. This documentation is not intended as a substitute for and is not to be used for determining suitability or reliability of these products for specific user applications. It is the duty of any such user or integrator to perform the appropriate and complete risk analysis, evaluation and testing of the products with respect to the relevant specific application or use thereof. Neither Schneider Electric Industries SAS nor any of its affiliates or subsidiaries shall be responsible or liable for misuse of the information contained herein.

Environment

| | |
|---------------------------------------|--|
| Standards | CSA C22.2 No 60950-1 UL 508 EN/IEC 62368-1 |
| Product certifications | CCSAus[RETURN]EAC[RETURN]UL[RETURN]RCM |
| Environmental characteristic | EMC conforming to IEC 61000-6-1 EMC conforming to IEC 61000-6-3 EMC conforming to EN 55024 EMC conforming to IEC 61000-6-4 EMC conforming to EN/IEC 61204-3 Safety conforming to EN 61204-4 Safety conforming to IEC 60950-1 |
| Operating altitude | 2000 m |
| IP degree of protection | IP20 conforming to IEC 60529 |
| Ambient air temperature for operation | 50...60 °C with derating factor mounting position A < 2000 m -25...50 °C without derating mounting position A < 2000 m |

Packing Units

| | |
|------------------------------|-----------|
| Unit Type of Package 1 | PCE |
| Number of Units in Package 1 | 1 |
| Package 1 Height | 15.969 cm |
| Package 1 Width | 18.691 cm |
| Package 1 Length | 19.668 cm |
| Package 1 Weight | 3.35 kg |
| Unit Type of Package 2 | S06 |
| Number of Units in Package 2 | 22 |
| Package 2 Height | 73.5 cm |
| Package 2 Width | 60.0 cm |
| Package 2 Length | 80.0 cm |
| Package 2 Weight | 80.0 kg |

Offer Sustainability

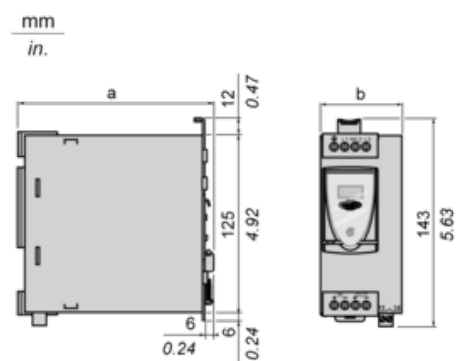
| | |
|----------------------------|--|
| Sustainable offer status | Green Premium product |
| REACH Regulation | REACH Declaration |
| EU RoHS Directive | Pro-active compliance (Product out of EU RoHS legal scope) |
| Mercury free | Yes |
| China RoHS Regulation | China RoHS Declaration |
| RoHS exemption information | Yes |
| Environmental Disclosure | Product Environmental Profile |
| Circularity Profile | End Of Life Information |
| PVC free | Yes |

Contractual warranty

| | |
|----------|-----------|
| Warranty | 18 months |
|----------|-----------|

Regulated Switch Mode Power Supplies

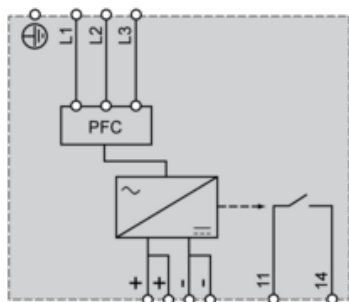
Dimensions



| ABL 8 | a in mm | a in in. | b in mm | b in in. |
|----------|---------|----------|---------|----------|
| RPS24030 | 125 | 4.92 | 45 | 1.77 |
| RPS24050 | 125 | 4.92 | 56 | 2.20 |
| RPS24100 | 145 | 5.71 | 86 | 3.39 |
| RPM24200 | 145 | 5.71 | 146 | 5.75 |
| WPS24200 | 160 | 6.30 | 96 | 3.78 |
| WPS24400 | 160 | 6.30 | 166 | 6.54 |

Regulated Switch Mode Power Supply

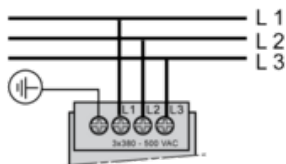
Internal Wiring Diagram



Regulated Switch Mode Power Supply

Line Supply Wiring Diagram

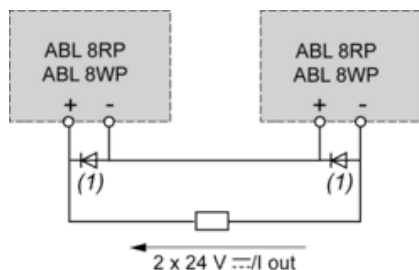
Three-phase (L1-L2-L3) 3 x 380 to 500 V



Regulated Switch Mode Power Supplies

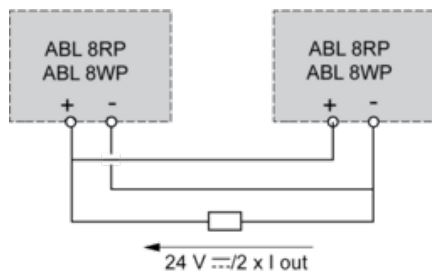
Series or Parallel Connection

Series Connection



(1) Two Schottky diodes I_{min} = power supply I_n and V_{min} = 50 V

Parallel Connection



| Family | Series | Parallel |
|--------------------|---------------------|-----------------|
| ABL 8RPS/8RPM/8WPS | 2 products max. (1) | 2 products max. |

NOTE: Series or parallel connection is only recommended for products with identical references.

For better availability, the power supplies can also be connected in parallel using the ABL8RED24400 Redundancy module.

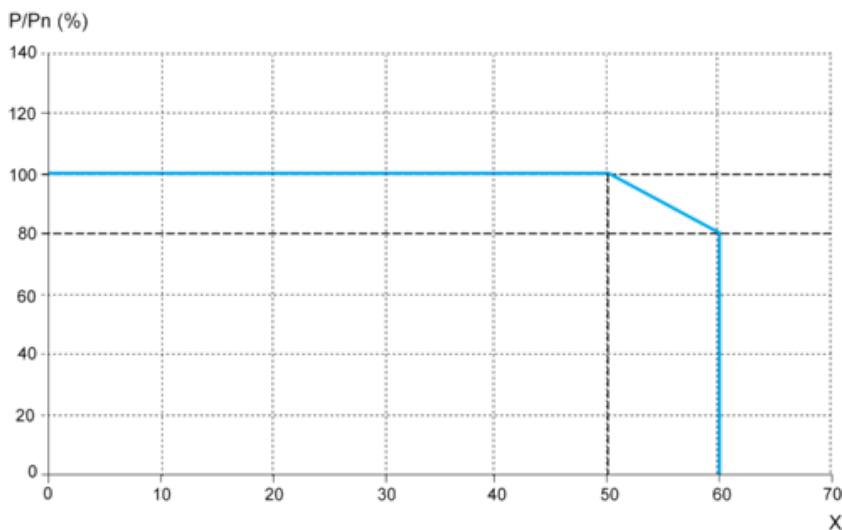
Regulated Switch Mode Power Supplies

Derating

The ambient temperature is a determining factor that limits the power an electronic power supply can deliver continuously. If the temperature around the electronic components is too high, their life will be significantly reduced.

The nominal ambient temperature for the Universal range of Phaseo power supplies is 50°C. Above this temperature, derating is necessary up to a maximum temperature of 60°C.

The graph below shows the power (in relation to the nominal power) that the power supply can deliver continuously, depending on the ambient temperature.



X Maximum operating temperature (°C)

ABL 8RPM, ABL 8RPS, ABL 8WPS mounted vertically

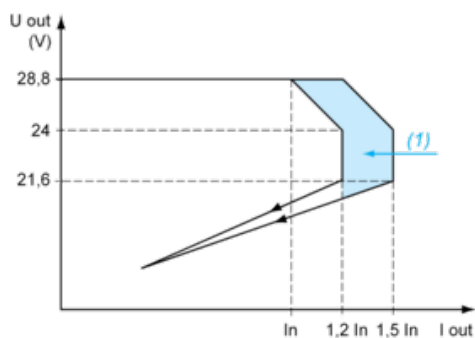
Derating should be considered in extreme operating conditions:

- Intensive operation (output current permanently close to the nominal current, combined with a high ambient temperature)
- Output voltage set above 24 Vdc (to compensate for line voltage drops, for example)
- Parallel connection to increase the total power

Regulated Switch Mode Power Supply

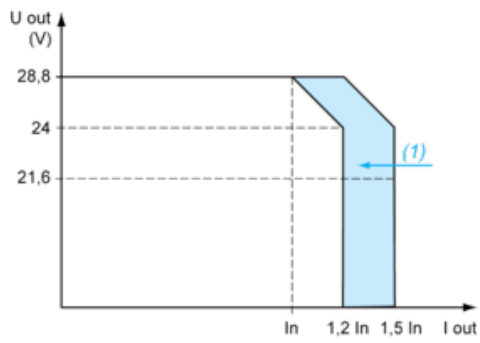
Load Limit

Manual Reset Protection Mode



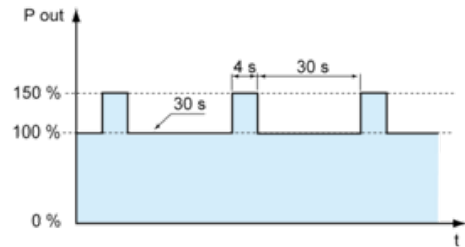
(1) Boost 4s

Automatic Reset Protection Mode



(1) Boost 4s

"Boost" Repeat Accuracy



This type of operation is described in detail in the user manual, which can be downloaded from the website.