

## Datasheet

ENGLISH

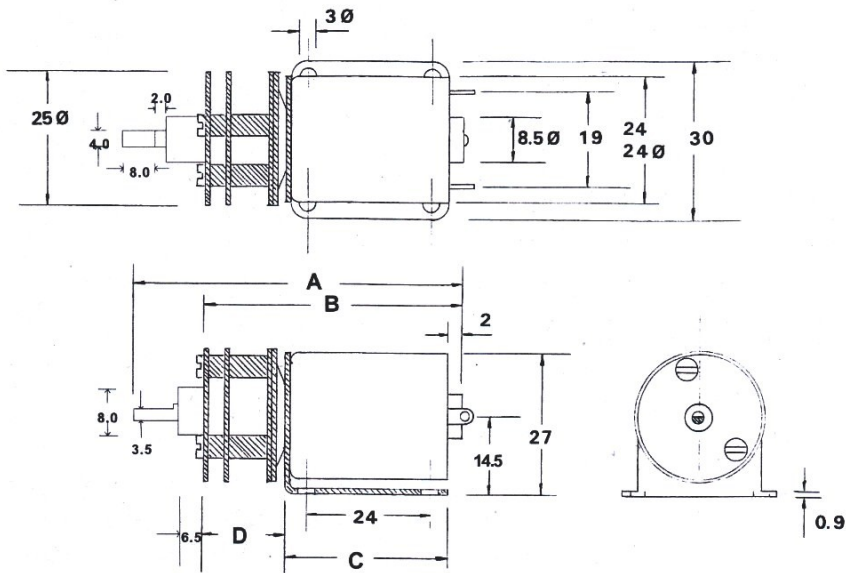
# RS PRO, 3 V dc, 1000 gcm, Brushed DC Geared Motor, Output Speed 88 rpm

Stock No: 413-0600



## Specifications:

Output Speed	88 rpm
Supply Voltage	3 V dc
Maximum Output Torque	1000 g.cm
DC Motor Type	Brushed
Shaft Diameter	4mm
Power Rating	1.71 W
Gearhead Type	Spur
Length	51mm
Width	27mm
Current Rating	1.06A
Weight	76g



Operating relative humidity 20% ~ 85%  
 Operating temperature range -10°C ~ +60°C

Ratio	A	B	C	D
100:1	67.5mm	51.3mm	33.5mm	17.8mm

Gearbox Housing material	Metal
Backlash at no-load	< 2°
Bearing at output	Sleeve bearings
Radial load (10mm from flange)	< 0.3 kgf
Shaft axial load	< 0.2 kgf
Shaft press fit force max	< 2 kgf
Radial play of shaft	< 0.05mm
Thrust play of shaft	< 0.3mm

Reduction Ratio	Rated tolerance Torque	Max momentary Tolerance Torque	Efficiency
1/100	1.0 kgf-cm Max.	3.0 kgf-cm	65%

Reduction Table RPM SUPPLY VOLTAGE	1.5v	3v
413-0600	44	88

Note: Motor speeds may vary by (+) or (-) 12.5%

