



Datasheet

RS PRO Two-Part Enclosures

Stock number: 1920730

EN

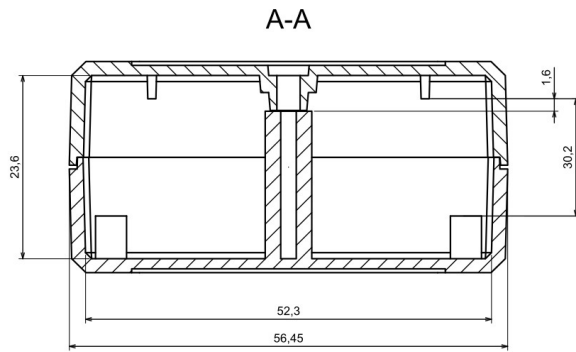
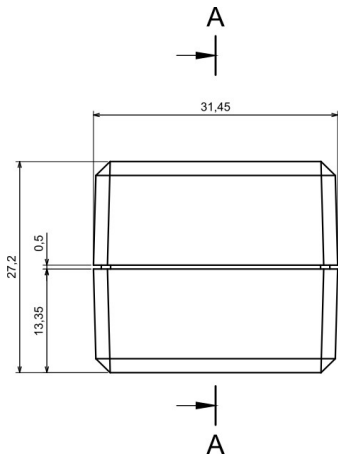


Product Details

Two-part enclosure is made of white ABS. It is ideal for applications that doesn't require hermetic seal. PCB can be attached to base and cover of the enclosure.

Features and Benefits

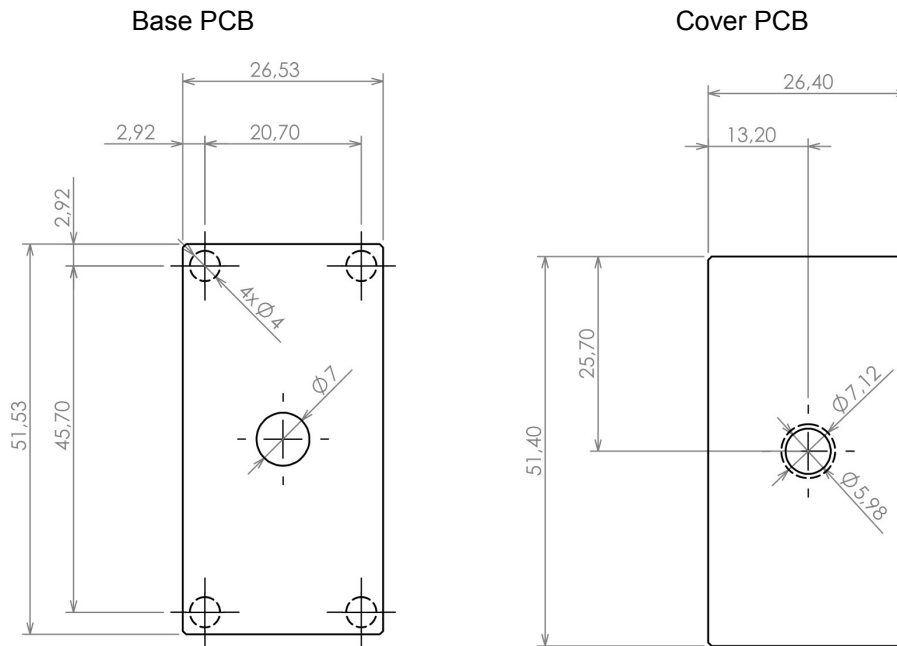
- Made of ABS
- Available in white color
- Ability to attach PCB to base and cover of the enclosure



Category	Two-part Enclosures
Type	Full
Material	ABS
Variant	Without gasket
Height	27.2 mm
Width	56.5 mm
Length	31.5 mm
Color	White (b)
Standards Met	RoHS Compliant
Accessories	Screw 2.5/12: 1.0 pcs
Certificate number	



Max PCB size



Dashed line shows outline of the mounting boss under PCB board
Recommended mounting holes diameter $\varnothing 3,5$ mm
All dimensions are given within $\pm 0,5$ mm tolerance