



ENGLISH

Datasheet

RS Article:1854657

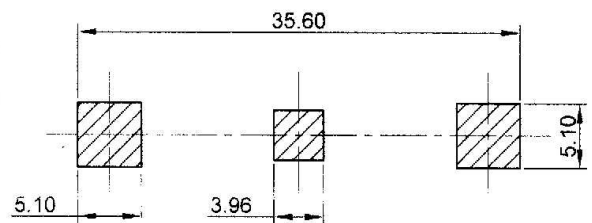
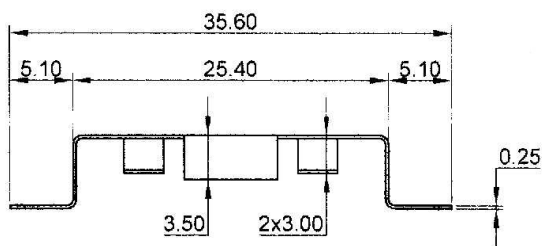
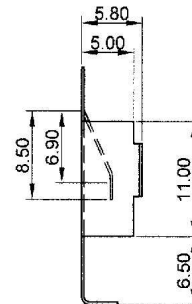
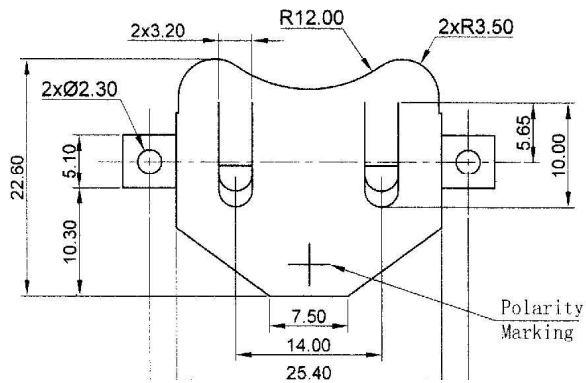
# RS Pro Battery Holder



## 1. Preface:

The purpose of this product specification is to Dimension and drawing

# Metal Coin Cell Holder CR2450



PCB MOUNTING LAYOUT

## SPECIFICATION

- (1) ITEM NO: **1854657**
- (2) MATERIAL: **0.25MM THICK PHOSPHOR BRONZE  
NICKEL PLATED**
- (3) **RoHS COMPLIANT**

**Measure: mm**