

## Datasheet

# RS PRO VINYL-INSULATED (EASY ENTRY) PIN TERMINALS

Stock number: 178-8427

MAXIMUM ELECTRIC CURRENT:

A.W.G.	22	20	18	16
AMP.	9	12	17	18

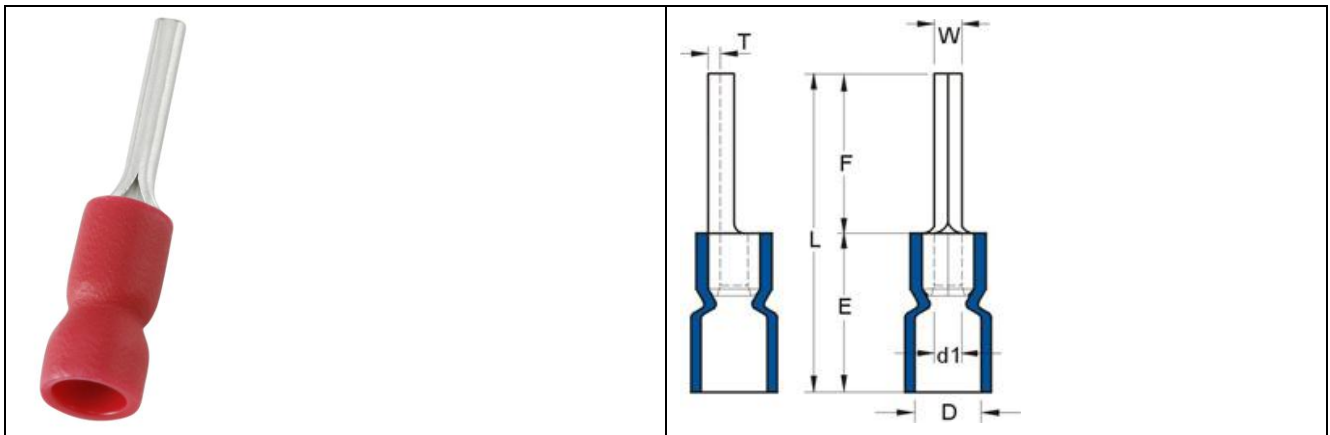
MAXIMUM ELECTRICAL RATING: 105° C 600 VOLTS MAX.

INSULATION MATERIAL: VINYL

TERMINAL MATERIAL: COPPER

INSULATION COLOR: RED

TERMINAL BARREL I.D.: C=1.7MM



WIRE RANGE A.W.G. mm <sup>2</sup>	ITEM NO. BUTTED SEAM	DIMENSION inch(mm)							
		W	F	L	E	D	d1	T	
22-16 A.W.G.	178-8427	0.075	0.472	0.906	0.441	0.157	0.067	0.03	
0.5-1.5 mm <sup>2</sup>		1.9	12	23	11.2	4.000	1.7	0.75	