

Datasheet

RS PRO 10A Crimp Contacts for RS PRO Heavy Duty Range



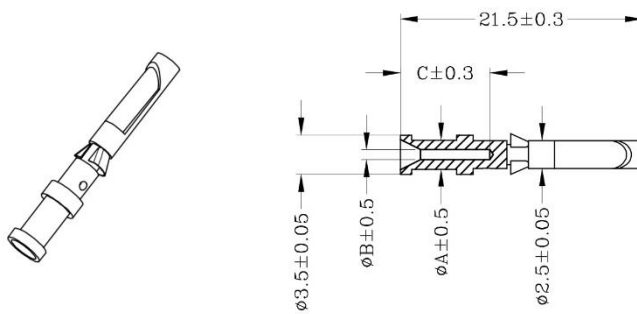
The RS PRO Heavy-Duty Connector series is a full range of heavy-duty inserts, housings, crimps and accessories. Crimps are available in 5A, 10A, 16A, 40A, 70A, 100A and 200A options which cover all but the most specialised of situations. All the crimp options are available with Silver plating however the lower current crimps are also offered with Gold plating for better conductivity at lower voltages and currents. The RS PRO Heavy-Duty connectors have been created for applications that are subjected to harsh environments or where high vibration can cause standard connectors to fail. This makes them ideal for food & beverage manufacturing, packaging machines, conveyor belt systems, railway, oil & gas processing and other industrial automation. The entire range of connectors are RoHS compliant and as with all RS PRO products, offer exceptional value for money.

Features & Benefits:

- **Gold or Silver Plated**
- **Male and Female Crimps sold Separately**
- **Fits RS PRO Heavy Duty Inserts**
 - **RS-HD Ultra High Density Inserts**
 - **RS-HDD Ultra High Density Inserts**
 - **RS-HK Combination Inserts**
 - **RS-HM Modular Inserts**
 - **RS-HQ Compact Inserts**

Dimensional drawing and sizes

RS Stock Code Silver-Plated	RS Stock Code Gold-Plated	Gender	Current	Wire Diameter		A	B	Stripping Length C
				mm ²	AWG			
208-4453	208-4440	Female	10A	0.14-0.37	26-22	2.6	0.90	8
208-4455	208-4441	Female	10A	0.5	20	2.6	1.10	8
208-4456	208-4442	Female	10A	0.75	18	2.6	1.30	8
208-4457	208-4443	Female	10A	1.0	18	2.6	1.45	8
208-4458	208-4444	Female	10A	1.5	16	3.0	1.75	8
208-4459	208-4445	Female	10A	2.5	14	3.2	2.25	6



RS Stock Code Silver-Plated	RS Stock Code Gold-Plated	Gender	Current	Wire Diameter		A	B	Stripping Length C
				mm ²	AWG			
208-4461	208-4446	Male	10A	0.14-0.37	26-22	2.6	0.90	8
208-4462	208-4447	Male	10A	0.5	20	2.6	1.10	8
208-4463	208-4449	Male	10A	0.75	18	2.6	1.30	8
208-4464	208-4450	Male	10A	1.0	18	2.6	1.45	8
208-4465	208-4451	Male	10A	1.5	16	3.0	1.75	8
208-4466	208-4452	Male	10A	2.5	14	3.2	2.25	6

