

FEATURES

- Fits a standard XLR cutout
- Can be mounted from front or back
- Low rear profile
- Ensures space
- Metal construction for long and reliable service life

RS PRO Cat6 RJ45 Feedthrough Connector, FTP

RS Stock No.: 907-5668



RS Professionally Approved Products bring to you professional quality parts across all product categories. Our product range has been tested by engineers and provides a comparable quality to the leading brands without paying a premium price.

Product Description

Brought to you by RS PRO, this RJ45 Feed Through connector allows you to connect RJ45 types through a sturdy panel mount connection that is designed to fit within a standard XLR format chassis. Suitable for wall plugs and rack mounting, this XLR Format RJ45 connector is a valuable tool in connecting custom configurations that use standard cabling, and is commonly used in digital recording studio and network racking. All models are highly reliable and excellent quality.

Stock No. [916-0243](#)

Stock No. [916-0255](#)

Stock No. [916-0259](#)

Stock No. [907-5665](#)

Stock No. [907-5668](#)

Stock No. [907-5652](#)

Stock No. [907-5656](#)

General Specifications

Type	Feedthrough Connector
Interface Type	RJ45
LAN Category	Cat6
Shield Type	FTP
Colour	Silver
Housing Material	Metal
Wiring Configuration	T568A + T568B
Application	Servers, Professional stage lighting, Military applications

Mechanical Specifications

Width	26mm
--------------	------

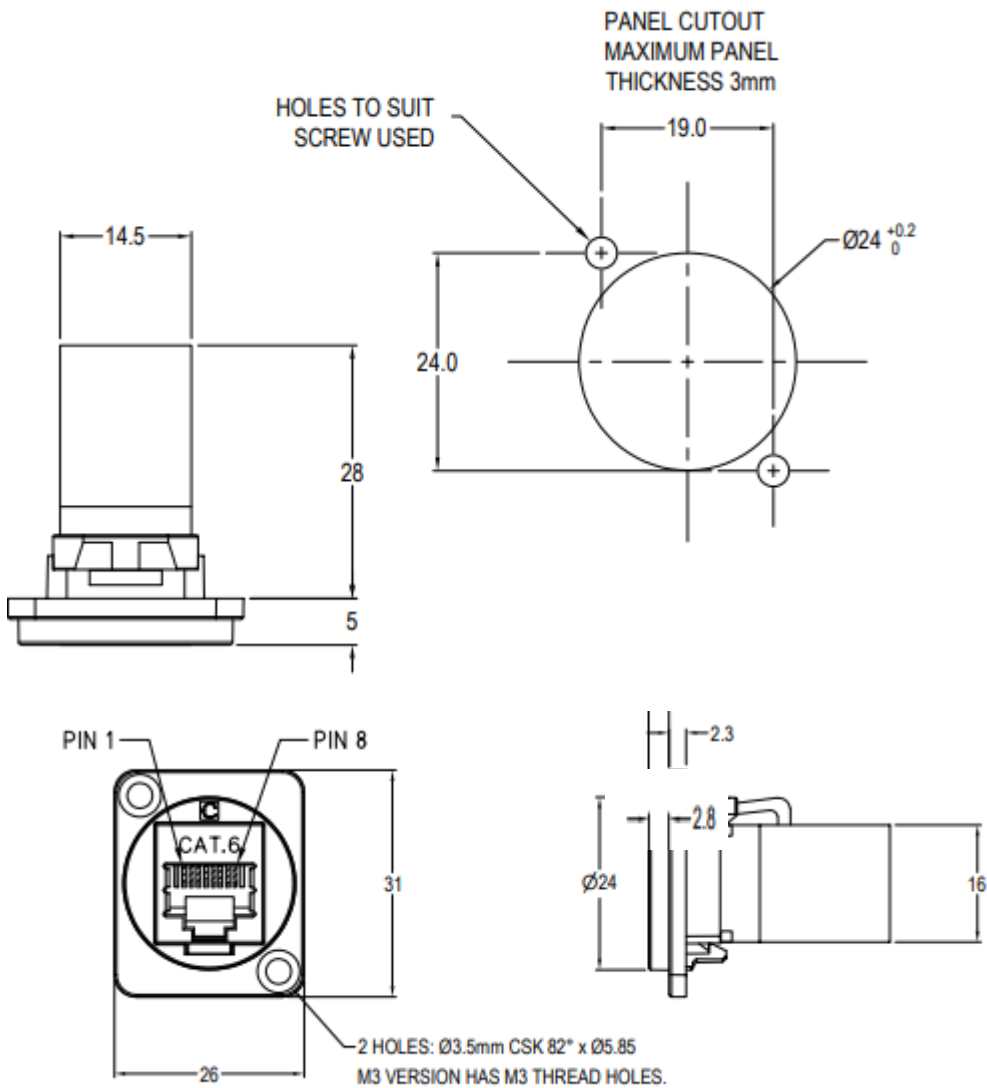
Operation Environment Specifications

Operating Temperature	-10°C to +70°C
------------------------------	----------------

Approvals

Compliance/Certifications

T568A & T568B, ISO/IEC 11801 and EN50173, N50173 3. Meet A , UL 94V-0,



Ethernet Couplers

