

FEATURES

- Piezo buzzer with a continuous, fast pulse tone
- Panel mounting
- Minimum supply voltage of 6 V dc
- Maximum supply voltage of 28 V dc
- 88 dB sound level
- Internal drive
- Diameter of 42.5 mm
- Height of 33 mm
- Operating temperature range of -30°C to +85°C
- Supply current of 16 mA
- Minimum frequency of 2300 Hz
- Maximum frequency of 3.3 kHz

RS PRO 88dB, Panel Mount Continuous, Fast Pulse Internal Piezo Buzzer

RS Stock No.: 535-8382



RS Professionally Approved Products bring to you professional quality parts across all product categories. Our product range has been tested by engineers and provides a comparable quality to the leading brands without paying a premium price.

Product Description

Part of our trusted RS PRO series, these high-quality piezo buzzers offer a wide voltage range, high sound level and low power consumption in a compact design. They can operate between 6 V dc and 28 V dc and only require a 16 mA supply current. This means they're compatible with most consumer appliances as well as being energy efficient. They produce a continuous and fast-pulsing 88 dB tone that can be clearly heard. As they don't use magnets or coils to create the sound, they have virtually no impact on surrounding circuitry. These space-saving piezo buzzer components are panel-mounted and simple to install.

General Specifications

Mounting Type	Panel Mount
Sound Level	88dB
Drive Type	Internal
Tone Type	Continuous, Fast Pulse
Colour	Black
Application	Alarms or warning systems, communications equipment and electronic cash registers.

Electrical Specifications

Minimum Supply Voltage	6Vdc
Maximum Supply Voltage	28Vdc
Maximum Frequency	3.3kHz
Minimum Frequency	2300Hz
Supply Current	16mA

Mechanical Specifications

Diameter	42.5mm
Height	33mm
Dimensions	42.5 (Dia.) x 33mm
Sound Level Distance	30cm

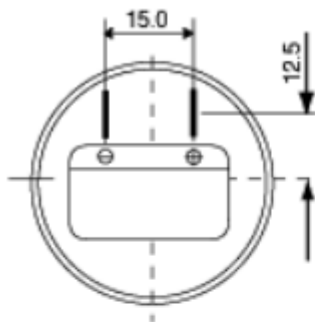
Operation Environment Specifications

Minimum Operating Temperature	-30°C
Maximum Operating Temperature	85°C

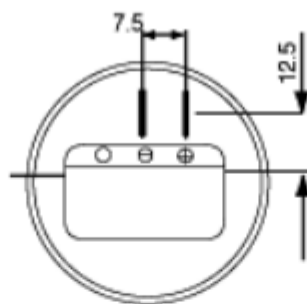
Approvals

Compliance/Certifications	ANSI/ESD S20.20:2014, BS EN 61340-5-1:2007
---------------------------	--

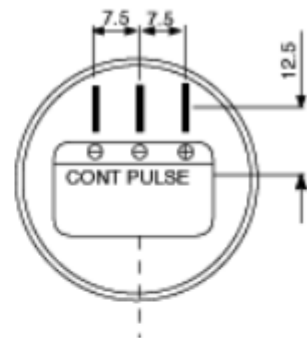




Bottom View 3



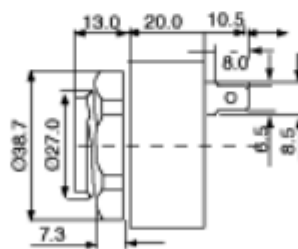
Bottom View 4



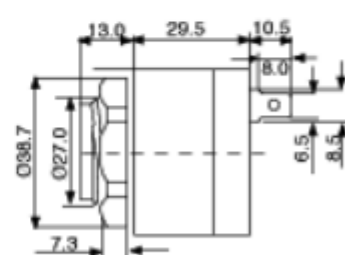
Bottom View 5



Top View



Side View D



Side View E

Tolerance: $\pm 0.5\text{mm}$ Unit: mm