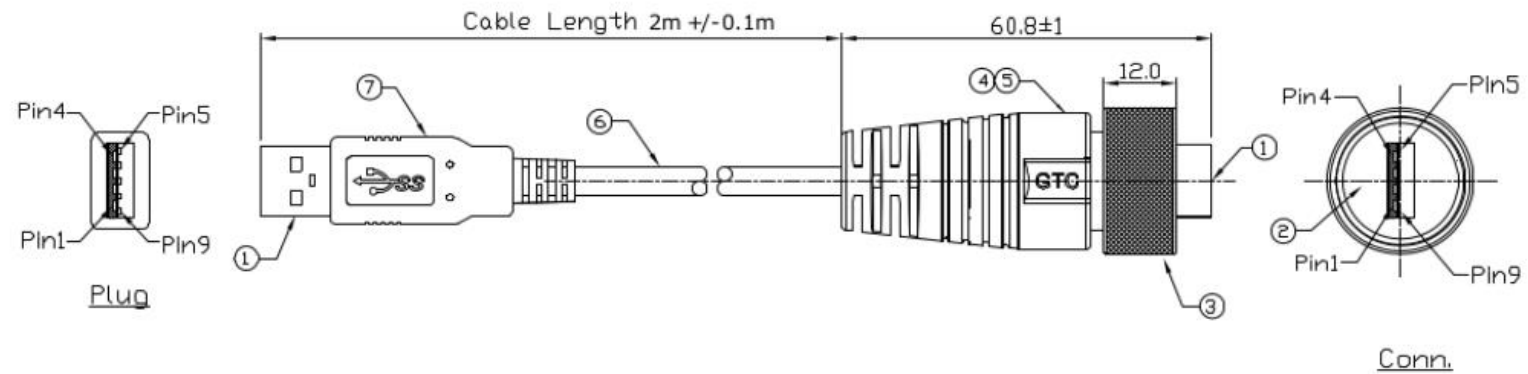


Notes: (Unless Otherwise Specified)
 1. Waterproof Rate: IP67,
 2. RoHS Compliant.

REV	ECN#	DESCRIPTION OF REVISION	DRAW BY DATE	CHECK BY DATE	APPROVE BY DATE
01			Lucas 11/06/15	Lucas 11/06/15	Ray 11/06/15



Item	Part Name	Material / Finish	Qty
7	Over Mold	PVC Color: Black	1
6	Cable	UL2725 (1P*28AWG+EA)*2+(1PR*28AWG+A)+2C*22AWG+AB 85% Color: Black, OD=5.5mm	1
5	Over Mold	PVC Color: Black	1
4	Inner Mold	Thermoplastic Color: Black	1
3	Metal Screw Nut	Copper Alloy Finish: Ni Plated	1
2	Rubber Pad	Silicone Color: Black	1
1	USB-A 3.0 Plug	Housing: Thermoplastic, Color: Blue Contacts: Copper Alloy, Finish: Au Plated Shell: Cold Roll Steel, Finish: Ni Plated	2

Plug	Color	Conn.
1	Red	1
2	White	2
3	Green	3
4	Black	4
8	Blue	5
9	Yellow	6
7	Drain	7
5	Purple	8
6	Orange	9
Shell	Braid	Shell

Wiring Diagram

Mating Parts:
 122-3032
 122-3034

Rs Stock No
 122-3033

TITLE						REV.
USB-A 3.0 Metal C3 Cable End Plug Screw With Cable + USB-A 3.0 Plug						01
THIRD ANGLE PROJECTION	B	1:1	Lucas 11/06/15	Lucas 11/06/15	Ray 11/06/15	XX ± 0.5 X.XX ± 0.2
			TOLERANCES		mm	1/1
			ANGLES		± 1°	SHEET