



## Datasheet

### RS PRO Screw Gripping Screwdrivers (Slotted)

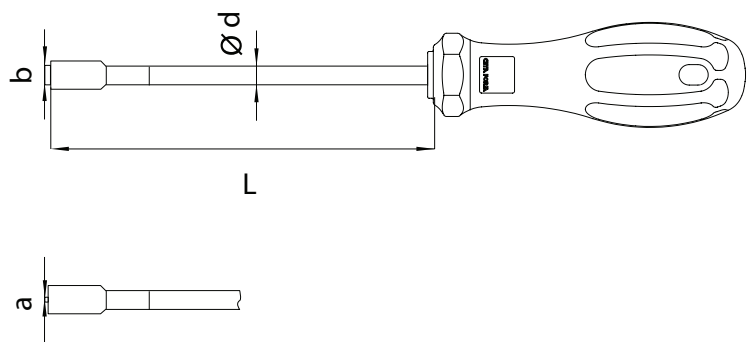
EN



#### Product feature:

- Unbeatable screw holding flexibility around hard to reach areas requiring screw extraction
- Replacement and or tightening A reformulated steel composition coupled with optimized tip geometries ensures resistance to even higher torque levels.
- Improved handle ergonomics enable even higher force transfer with less power.

Shaft length: 150mm  
Handle length: 110mm  
Overall length: 260mm  
Shaft diameter: 6mm  
Tip length: 6mm  
Tip thickness: 1mm  
Holder diameter: 11mm



RS CODE NO	CODE NO	mm	mm	gr
1763414	F10-045SGRS	4.5	75	69
1763413	F10-060SGRS	6.0	150	100