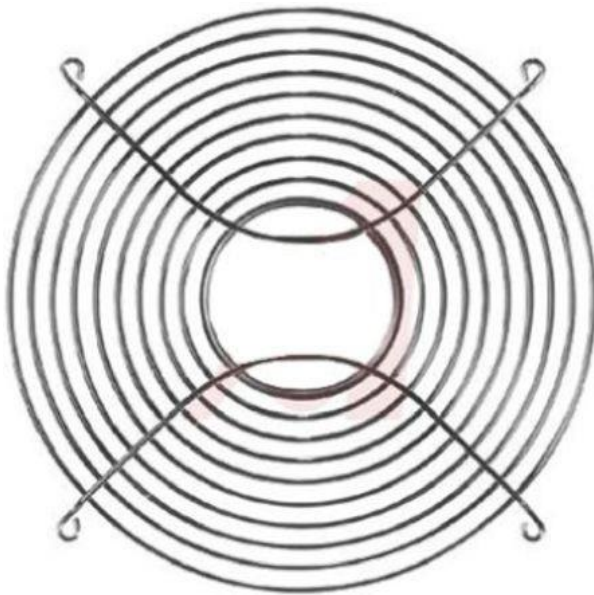


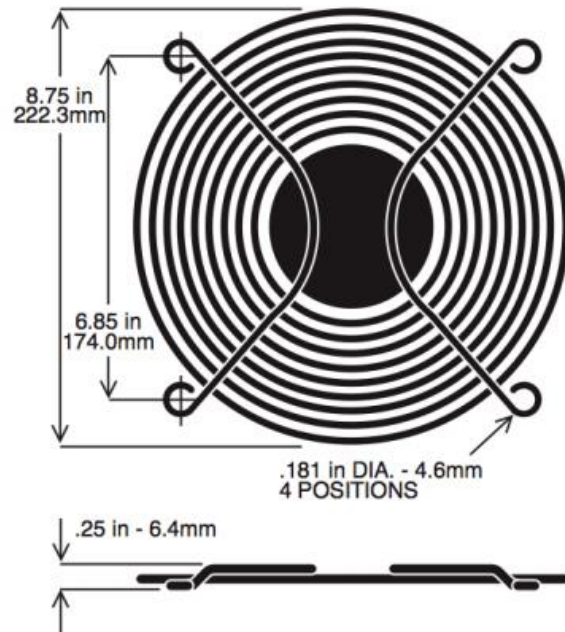
## Datasheet

### Finger Guard 254mm Steel

RS Stock number 737-4033



Dimensions: (mm)



## Specifications

### PART NO. G254-10P

1. MATERIAL: C1008 BRIGHT BASIC WIRE
2. FINISH: BRIGHT NICKEL CHROME
3. RING DIA: 2.3mm
4. RIB DIA: 2.3mm
5. WELD JOINTS TO WITHSTAND 88LBS PULL FORCE
6. GENERAL TOLERANCE UNLESS NOTED +/-0.5mm
7. PART MEETS 6.35mm PLUG GAUGE TEST