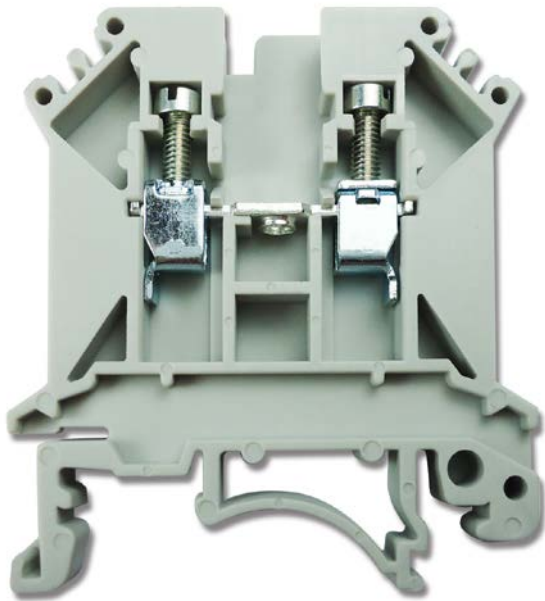


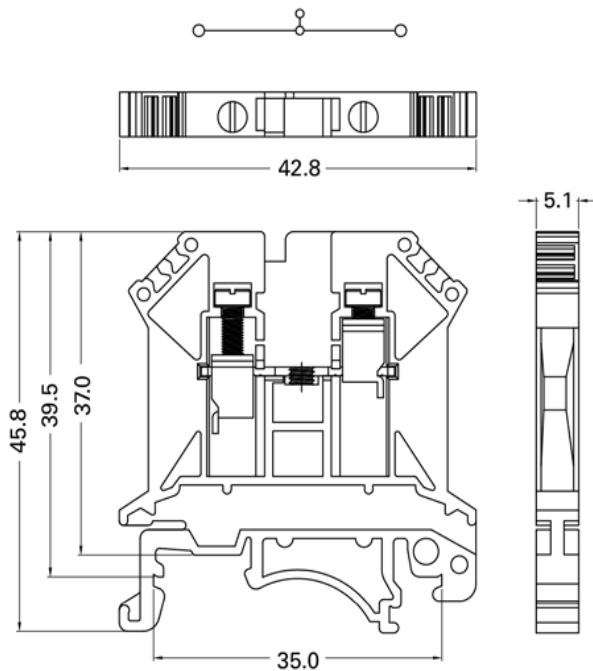
Product Datasheet

Din Rail mini Terminal Blocks





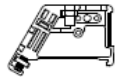



Screw Clamp mini Terminal Blocks, 20A, 600V, 28-12 AWG, 0.5-2.5 sq.mm, Grey
878-7506



Dimensions in mm



Product Specifications:

Specifications	2.5mm ²
Technical Date	Rated voltage / Rated current / Wire size
UL	600V / 20A / AWG 28-12
CSA	600V / 20A / AWG 28-12
IEC	800V / 24A / 0.5-2.5mm ²
Insulating impulse voltage withstand/pollution degree	8KV / 3
Torque (in -lbs)	5
Clamping Screw (M)	M2.6
Insulation stripping length (mm)	8~10 mm
Net weight per piece	6.1 g
Material / Available Color (Standard Color: Beige)	 Red Orange Beige Blue Grey White Black
Rail Dimensions	T / W / H (mm)
For TS35x7.5 	5.1 x 42.5 x 47
For TS35x15 	5.1 x 42.5 x 54.5
Accessories	Cat. No.
End Bracket 	8787553
	8787556
End plate 	8787544
Cross 	8787572
Marking Tags 	8787590