



ENGLISH

Datasheet

Stock No.184-5576

RS PRO Capacitive Sensor



Specifications:

Mounting: Non-flush

Rated distance Sn:

Assured distance Sa:

Shape size: 34*33*20mm

Output way: PNP

Output status: NO

Supply voltage: 10...30 VDC

Applicable pipeline (tube): Non-metal, O. D.: \varnothing 12...26; Wall thickness <1.0mm

Switch point offset [%/Sr]: $\leq \pm 20\%$

Hysteresis range [%/Sr]: 3...20%

Repeated error: $\leq 3\%$

Load current: $\leq 200\text{mA}$

Residual voltage: $\leq 2.5\text{V}$

Current consumption: $\leq 15\text{mA}$

Protection circuit: Short-circuit, overload and Reverse polarity

Output indicator: Yellow LED

Ambient temperature: $-10^{\circ}\text{C} \cdots 55^{\circ}\text{C}$

Ambient humidity: 35-95%RH

Switch frequency: 60 Hz

High pressure resistance: 1000V/AC 50/60Hz 60s

Insulation resistance: $\geq 50\text{M}\Omega(500\text{VDC})$

15/10/2019

Vibration resistance: Complex amplitude 1.5mm 10...50Hz (2H per X,Y,Z direction)

Protection degree: IP67

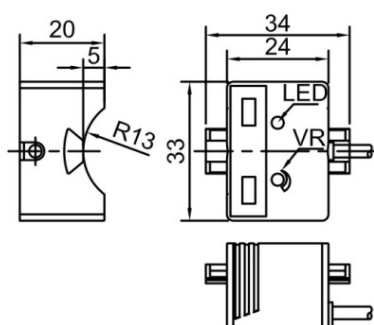
Housing material: PBT

Connection: 2m PVC cable

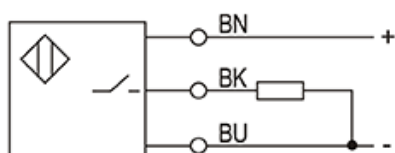
Features:

- ◆ To detect various liquid level in nonmetal tubes / pipelines, U type design for easier installation and detection;
- ◆ Be able to detect various media via nonmetallic container;
- ◆ Widely applied in container detecting;

Dimensions:



Wiring diagram:



Installation:

Non-flushed type cannot be mounted into metal plate. If there is metal plate opposite to sensor face, make sure distance between them should be $\geq 3S_n$. The distance between two parallel mounted sensor should be $\geq 2D$.

