

# External Plug In Adapter 10W, USB

**multicomp** PRO

**RoHS  
Compliant**



## Features

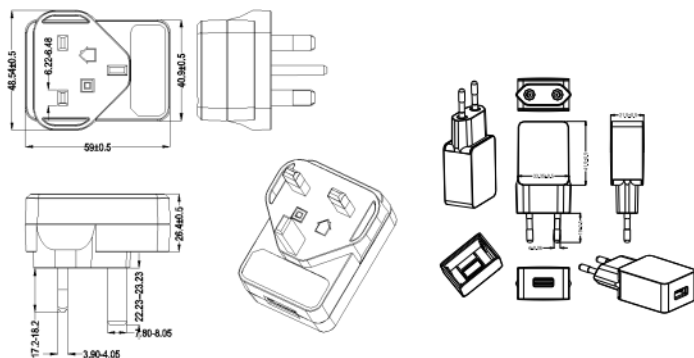
- UK or Euro Plug Top
- DOE Level VI Efficiency
- Overcurrent Protection
- Short Circuit Protection
- 1 Year Warranty
- EN62368 Approved

Model		MP010277	MP010278
Output	DC Voltage	5V DC	
	Rated Current	2.1amp	
	Current Range	0-2.1amp	
	Rated Power	10 Watt	
	Ripple & Noise	200m Vp-p max	
	Output Regulation	±5%	
	Output Connector	USB A Socket	
Input	Voltage Range	90 - 264V AC	
	Frequency Range	47 -63Hz	
	Input Current	0.3amp Max	
	Energy Consumption	<0.1W Max	
	Inrush Current	40amp Max	
	Input Connector	UK	Euro
Environment	Operating Temp	0°C to 40°C	
	Cooling	Convection	
	Temperature Coefficient	0.05%/°C	
	Humidity	5~95%RH(non-condensing)	
	Storage Temp	-20°C to +80°C	
Safety & EMC	Safety Standards	CE EN62368-1	
	EMC Emissions	CE EN55032, EN61000-3-2	

# External Plug In Adapter 10W, USB

multicomp<sup>PRO</sup>

## Mechanical Specification



Dimensions : Millimetres

## Part Number Table

Description	Part Number
External Plug In Adapter, 5.1VDC, 2A, UK Plugtop, USB	MP010277
External Plug In Adapter, 5.1VDC, 2A, Euro Plugtop, USB	MP010278

**Important Notice :** This data sheet and its contents (the "Information") belong to the members of the AVNET group of companies (the "Group") or are licensed to it. No licence is granted for the use of it other than for information purposes in connection with the products to which it relates. No licence of any intellectual property rights is granted. The Information is subject to change without notice and replaces all data sheets previously supplied. The Information supplied is believed to be accurate but the Group assumes no responsibility for its accuracy or completeness, any error in or omission from it or for any use made of it. Users of this data sheet should check for themselves the Information and the suitability of the products for their purpose and not make any assumptions based on information included or omitted. Liability for loss or damage resulting from any reliance on the Information or use of it (including liability resulting from negligence or where the Group was aware of the possibility of such loss or damage arising) is excluded. This will not operate to limit or restrict the Group's liability for death or personal injury resulting from its negligence. Multicomp Pro is the registered trademark of Premier Farnell Limited 2019.

Newark.com/multicomp-pro  
Farnell.com/multicomp-pro  
sg.element14.com/b/multicomp-pro

multicomp<sup>PRO</sup>