

RS PRO Photoelectric Sensor

RS Stock No.: 2025457, 2025458

FEATURES

- Polarized retro reflection working principle;
- Suitable for detecting transparent or high reflective target;
- High detection accuracy;



RS Professionally Approved Products bring to you professional quality parts across all product categories. Our product range has been tested by engineers and provides a comparable quality to the leading brands without paying a premium price.

Part Number Description

Part number	Sensing distance	Light source	Output	Connection
2025457	12m (non-adjustable)	Red LED (650nm)	NPN NO+NC	Terminal
2025458	12m (non-adjustable)	Red LED (650nm)	PNP NO+NC	Terminal

General Specifications

Detection Type	Polarized retro reflection
Standard target	TD-05 reflector
Detection target	Transparent, semi-transparent, opaque object
Response Time	≤8.2ms
Indicator	Power: Green LED; Output: Yellow LED
Repeat accuracy [R]	≤5%
Ambient Temperature	-15°C...55 °C
Ambient humidity	35...85%RH (Non-condensing)

Electrical Specifications

Operating Supply Voltage	10...30 VDC
Current Consumption	≤25mA
Residual voltage	≤2.5V
Load Current	≤200mA
Voltage withstand	1000V/AC 50/60Hz 60s
Insulation resistance	≥50MΩ(500VDC)
Vibration resistance	10...50Hz (0.5mm)
Reverse Polarity Protection	YES
Overload Protection	YES
Short Circuit Protection	YES

Mechanical Specifications

Body Style	Block
Mounting Type	Screw
Housing Material	PC/ABS
Dimensions	88*65*25mm
Gross Weight	230g

Protection Category

IP Rating

IP67

Additional Information

Custom Tariff Number/HS code

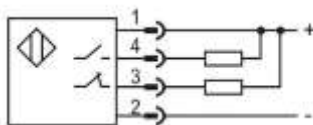
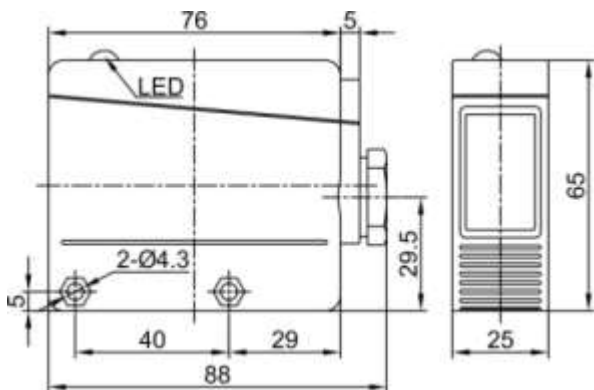
903180

Approvals

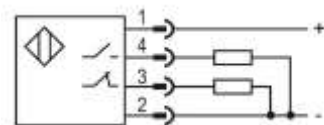
Compliance/Certifications

CE

Dimension and Wiring



NPN NO+NC



PNP NO+NC