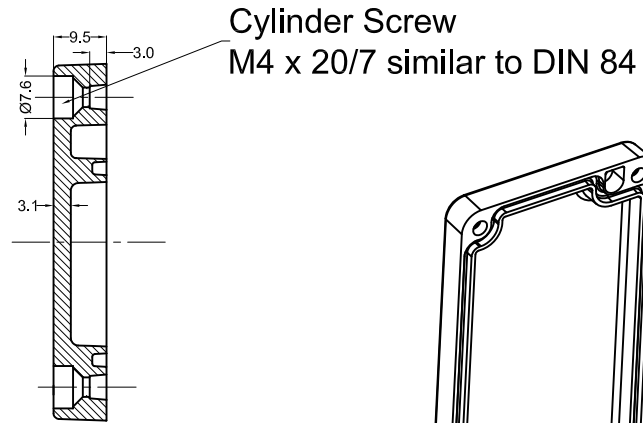
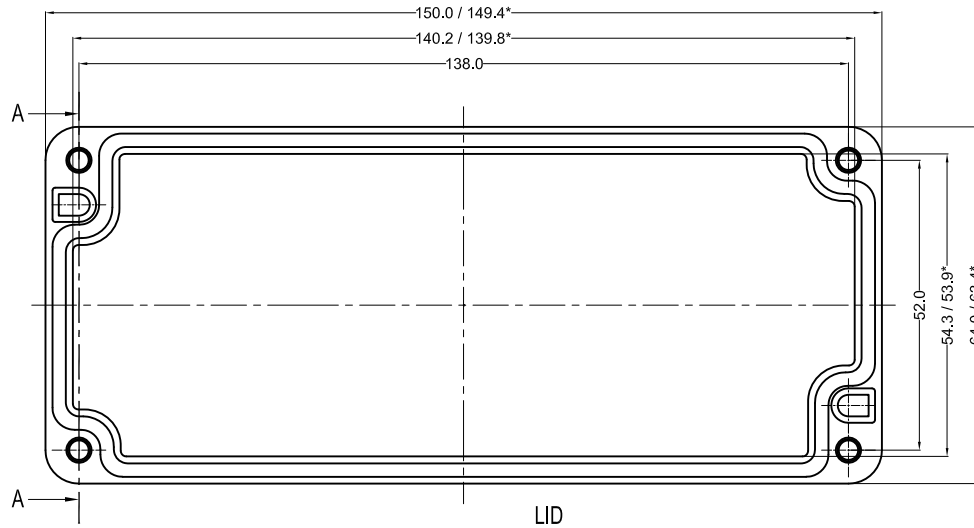
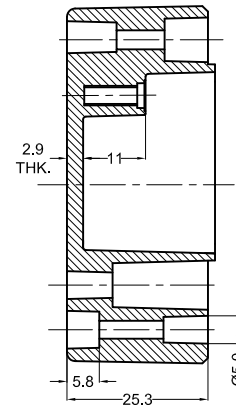
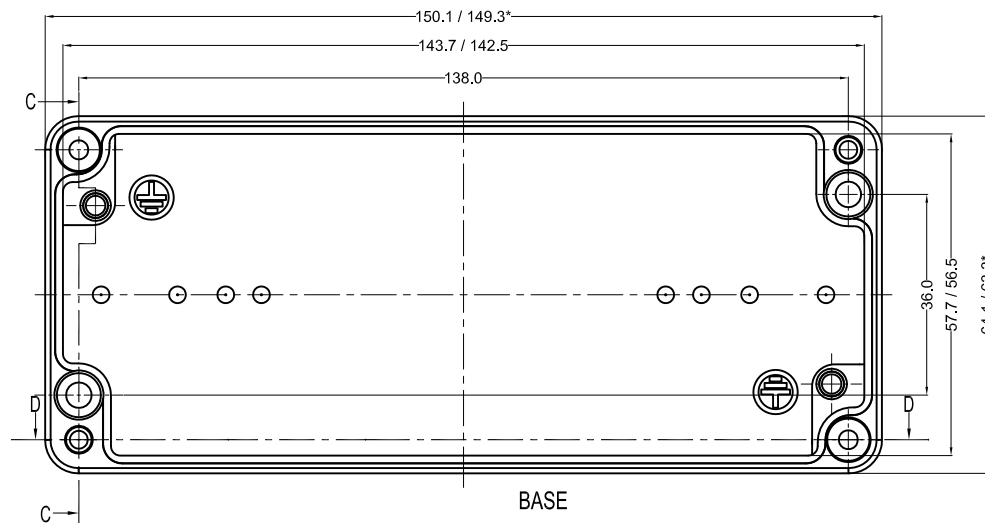


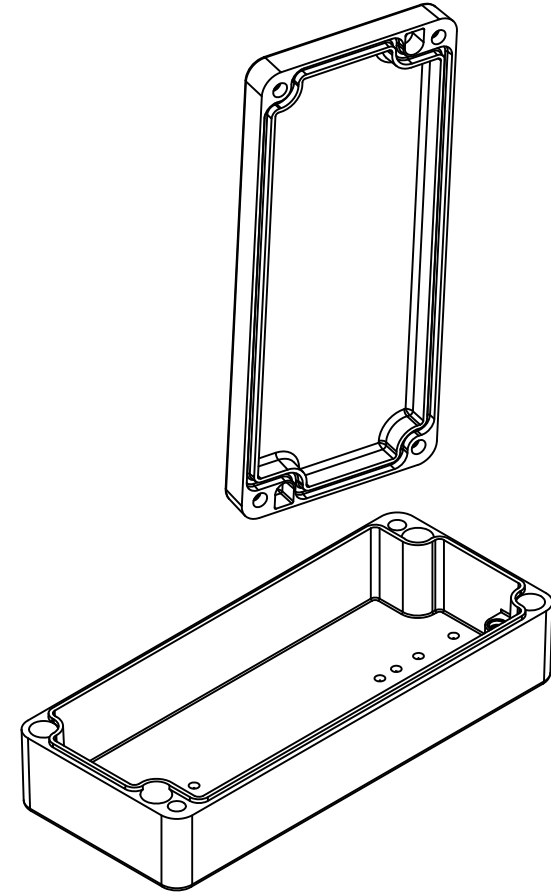
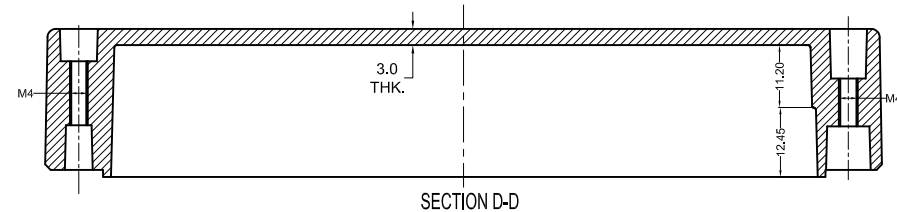
* = Conical form tapering downward.
 Untoleranced dimensions per GTA 13/5 - DIN 1688



SECTION A-A



SECTION C-C



QUANTITY 1	MATERIAL :- AISI12 DIN230	MACH.NAME -	DATE 08-06-12	SIGN MANOJ	NAME DRAWN
	WEIGHT :-	FINISH :- NATURAL	DATE 08-06-12	SIGN PAVAN	NAME CHECKED
	TOLERANCE ±0.2	DIMENSIONS	TITLE :- JUNCTION BOX 150 x 64 x 34		
±0.2	HOLES	SCALE			PARTNO. 0
±1.0°	ANGLES	REV 0			DRG. NO. AJB-1506434
ALL DIMENSION ARE IN MM					