

FEATURES

- Easy to fit, simply press into place by hand
- Grooved profile to hold edge into place
- Embedded metal insert for extra retention
- Sponge rubber sealing section for additional sealing and shock absorption

RS PRO Door Seals

RS Stock No.: 727-6049



RS Professionally Approved Products bring to you professional quality parts across all product categories. Our product range has been tested by engineers and provides a comparable quality to the leading brands without paying a premium price.

Product Description

From RS Pro a high-quality flexible edge protector strip or edging strip designed as a simple way to cover and protect the sharp edges of sheet material such as metal panels. The edge protector has a robust design which consists of a U shaped metal insert strip covered in an extruded black PVC coating. The edge protection strip is simply pressed into place by hand and the lips in the PVC coating and teeth in the metal insert hold the inserted edge in place using a clamping effect. There is no need for any additional preparatory work, tooling or adhesives.

General Specifications

Product Type	Edge Protector
Material	EPDM Rubber
Colour	Black
Applications	Spare tyre and radio compartment cut-outs in cars, Control panels and windows in large machine, Underbody vehicle protection to prevent wires from rubbing, Seat frames in vehicles, Openings in refuse containers

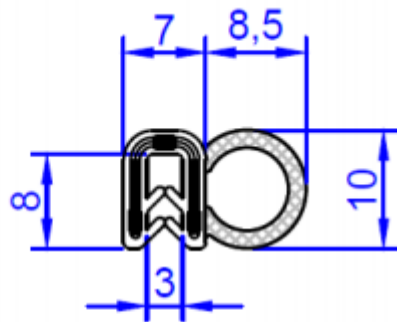
Mechanical Specifications

Dimensions	20m x 7mm x 10mm
Length	20m
Width	7mm
Height	10mm
Clamping range	0.5mm-2mm
Hardness change	+5° SHORE
Ozone resistance	yes

Approvals

Compliance/Certifications

RoHS certificate of compliance



Clamping Range 0.5-2.0mm
Black EPDM 60 ±5 Shore,
Including Looped Wire Carrier
& Hollow Sponge Sealing Section

