

För icke direkt toleranssatta mått gäller toleransklass  
General tolerances if not otherwise stated

| NOM DIM MM |      | TOL CLASS |      |      |
|------------|------|-----------|------|------|
| From       | To   | A         | B    | C    |
| (1)        | 6    | ±0.05     | ±0.1 | ±0.2 |
| (6)        | 30   | ±0.1      | ±0.2 | ±0.5 |
| (30)       | 100  | ±0.15     | ±0.3 | ±0.8 |
| (100)      | 300  | ±0.2      | ±0.5 | ±1.2 |
| (300)      | 1000 | ±0.3      | ±0.8 | ±2   |

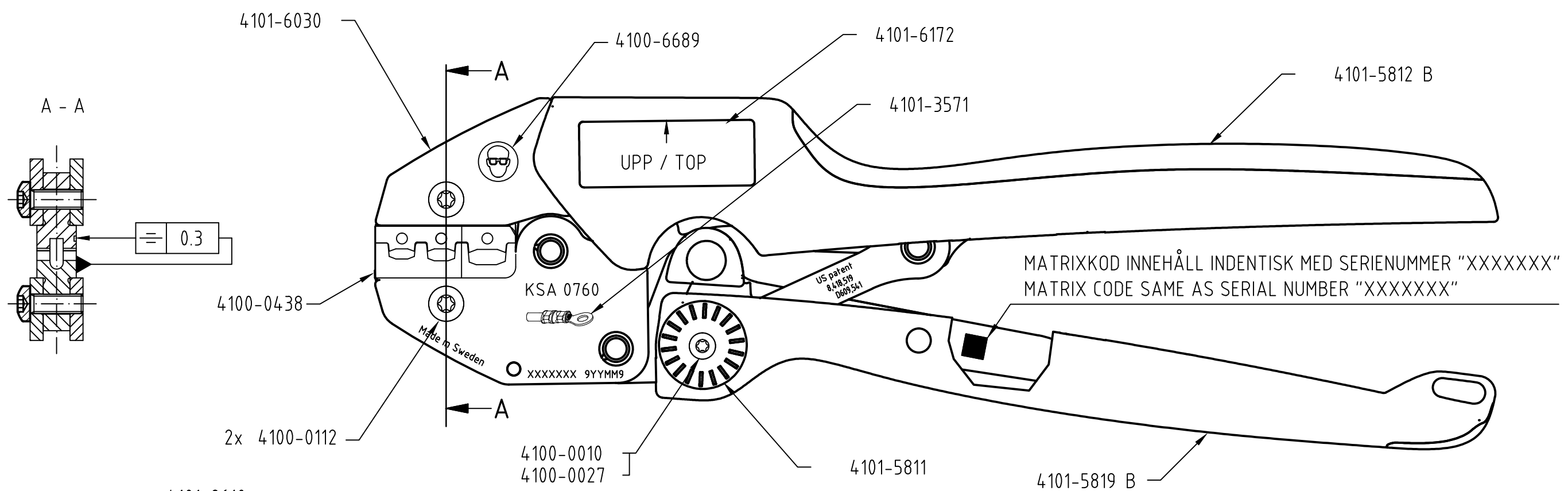
Hål / Holes H13

Skarpa kanter brutna där ej annat anges.  
No sharp edges unless otherwise specified.

Övriga generella toleranser enligt ritning 4100-4644.  
Additional general tolerances in accordance with drawing 4100-4644.

LASERMÄRKNING/LASER MARKING:  
TEXTFONT: GEN-ISO  
Datumkod / Date code "9YYMM9"  
Serienummer / Serial number "XXXXXXX"  
YY=ÅR/YEAR MM=MÅNAD/MONTH

|     |              |   |      |      |
|-----|--------------|---|------|------|
| Rev | Change order | Change: A = Added W = Was D = Deleted C = Changed | Date | Sign |
|-----|--------------|---|------|------|



- 4101-2610
- 4101-5828
- 4101-6508 P - placering position A
- 4102-0085 - placering position E
- 4101-6301

TILLTRYCK PÅ KORT (4101-6301) ENLIGT OMT DOKUMENT NR.:1059152000  
PRINTING ON CARD (4101-6301) ACCORDING TO OMT DOCUMENT NO.:1059152000

FÖRSPÄNNING / PRELOAD: 140 ± 30 N

| Tolkmått / Gauge dimensions (mm) |        |           |
|----------------------------------|--------|-----------|
| URTAG                            | Gåtolk | Stopptolk |
| NEST                             | GO     | NO GO     |
| RÖD / RED                        | ∅2.20  | ∅2.40     |
| BLÅ / BLUE                       | ∅2.65  | ∅2.85     |
| GUL / YELLOW                     | ∅3.35  | ∅3.55     |

Packas enligt förpackningsritning 4101-2741  
Packed according to drawing 4101-2741

Certifikat bifogas i förpackning/  
Certificate enclosed in box

|                            |                |                       |                      |               |               |                             |  |             |
|----------------------------|----------------|-----------------------|----------------------|---------------|---------------|-----------------------------|--|-------------|
| Material                   |                |                       | Behandling/Treatment |               |               | Status Prel.utc.            |  |             |
| Konstr/Design SE           | Ritad/Drawn SE | Datum/Date 2014-05-22 | Skala/Scale 1:1      | Kontr/Checked | Godk/Approved | Ämne/Blank                  |  |             |
| <b>pressmaster</b> ®       |                |                       |                      |               |               | Vikt/Weight, gram           |  | Art grp 012 |
| KRIPTANG KSA 0760 Cert. RS |                |                       |                      |               |               | Ritn nr/Drawing no 43004380 |  | REV 000     |
| REG NR FM13687             |                |                       |                      |               |               | CRIMPING TOOL               |  |             |

Denna ritning är Pressmaster AB:s egendom. Skyddad av gällande lag. This drawing is the property of Pressmaster AB. Protected in accordance with prevailing law.