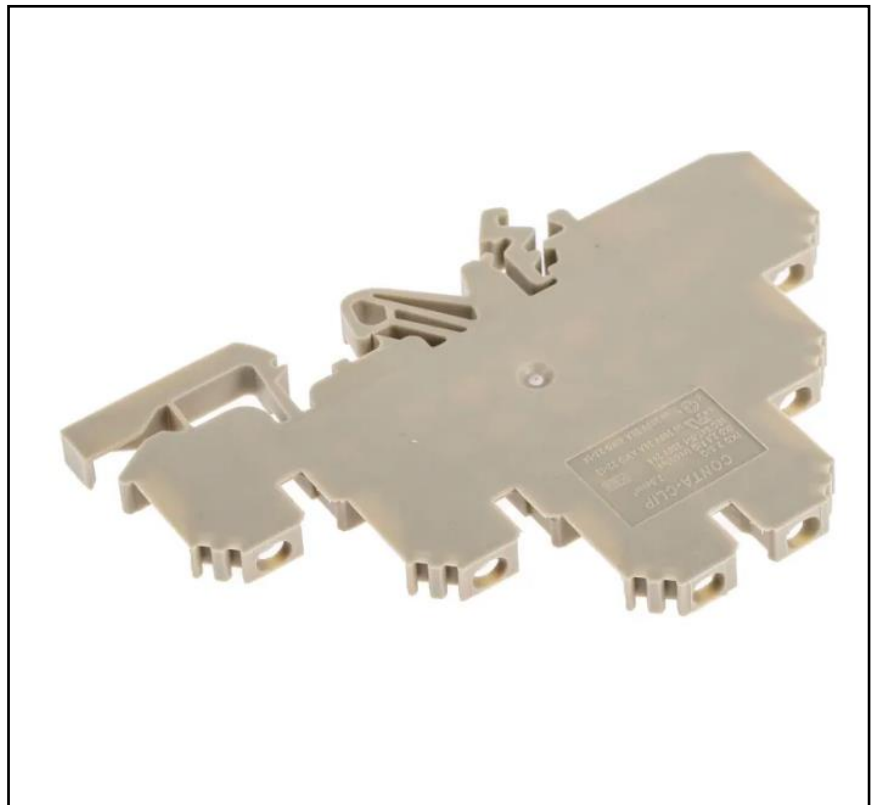


FEATURES

- Foot can be snapped on TS 32 and TS 35 DIN rails
- Housing made from polyamide 6.6 UL 94-V2
- Non-fused feed through terminal block
- Three level
- Screw termination method
- Wire size of 22AWG to 14AWG
- Current rating of 20 A (CSA), 20 A (CSAus), 24 A (IEC)

RS PRO, 300 V Feed Through Terminal Block, Screw Termination

RS Stock No.: 872-5619



RS Professionally Approved Products bring to you professional quality parts across all product categories. Our product range has been tested by engineers and provides a comparable quality to the leading brands without paying a premium price.

Product Description

Use this three-level feed through terminal block to connect wires quickly and simply. It has with feet that snap onto DIN rails for easy mounting and dismounting. The multi-level block saves space, simplifies connections and enables you to organise your circuits neatly.

General Specifications

Colour	Beige
Number of levels	Triple
Termination method	Screw Down
Material	Polyamide 6.6
Screw Size	Slotted M2.5
Rail Type Compatibility	TS 32 and TS 35 DIN rails
Contamination Degree	3
Application	Circuit boards and control panels for industrial electronics

Electrical Specifications

Current Rating	20A (CSA), 20A (CSAus), 24A (IEC)
Voltage Rating	300V
Rated Impulse Voltage	4kV

Mechanical Specifications

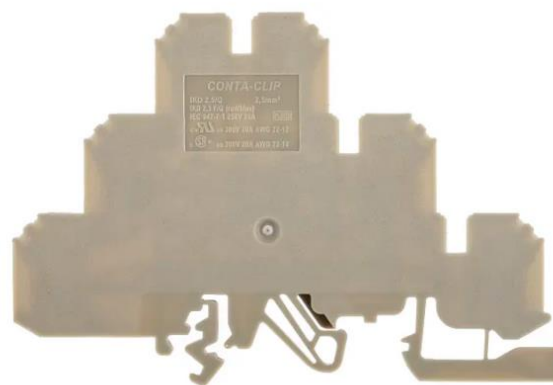
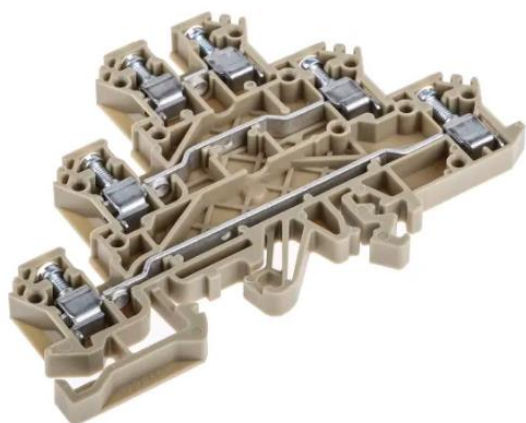
Wire size	22AWG to 14AWG
Rated Wire Cross-Section	2.5mm ²
Stripping Length	7mm
Contact Wire Range	0.2mm ² to 4mm ²
Torque	0.4Nm to 0.8Nm

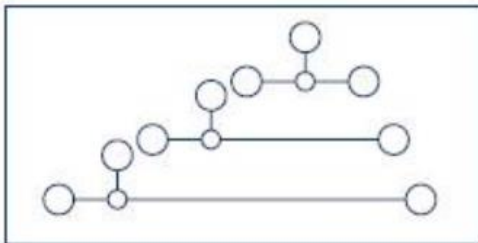
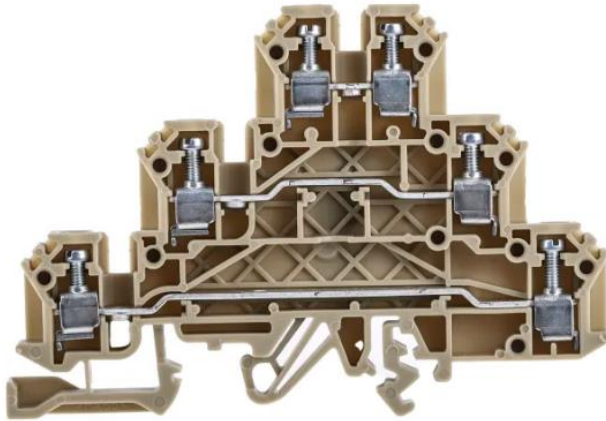
Operation Environment Specifications

Minimum operating temperature	-40°C
Maximum operating temperature	105°C

Approvals

Standard met	UL, CSA, IEC, EN 60 947-1, CSAus
--------------	----------------------------------





Feed-through terminal
3x2 connections