

Product data sheet

Specifications

SQUARE D

Green Premium™



Mini circuit breaker, QO, 20A, 1 pole, 120VAC, 10kA, 30mA grd fault B, plug in mount

QO120EPD

Product availability : Stock - Normally stocked in distribution facility

Price* : 410.00 USD

Main

Product	Miniature circuit-breaker
Range	QO
Current Rating	20 A
Voltage Rating	120 V AC
Mounting Type	Plug-in
Number of Poles	1P
Circuit Breaker Type	Ground fault protecting class B 30 mA
Ratings	Not rated
Electrical Connection	Pressure plate

Complementary

Interrupt Rating	10 kA 120 V AC 50/60 Hz
Number of Panel Spaces	1
Wire Size	AWG 14...AWG 8 copper AWG 12...AWG 8 aluminium
Tightening Torque	35.40 lbf.in (4 N.m) 40.71 lbf.in (4.6 N.m) 0.01...0.03 in ² (4...20 mm ²) (AWG 12...AWG 4)
Height	4.13 in (105 mm)
Width	0.75 in (19 mm)
Depth	2.91 in (74 mm)
Net Weight	0.55 lb(US) (0.249 kg)

Environment

Certifications	UL Listed CSA
Ambient Rating	104 °F (40 °C)

Ordering and shipping details

Category	00910-QO-EPD,QOB-EPD BREAKERS
Discount Schedule	DE2A

* Price is "List Price" and may be subject to a trade discount – check with your local distributor or retailer for actual price.

GTIN	785901763833
Returnability	Yes
Country of origin	MX

Packing Units

Unit Type of Package 1	PCE
Number of Units in Package 1	1
Package 1 Height	1.10 in (2.794 cm)
Package 1 Width	3.80 in (9.652 cm)
Package 1 Length	5.50 in (13.97 cm)
Package 1 Weight	8.78 oz (249.0 g)

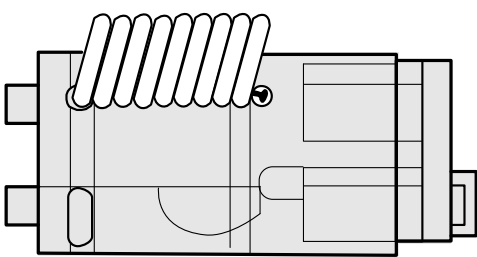
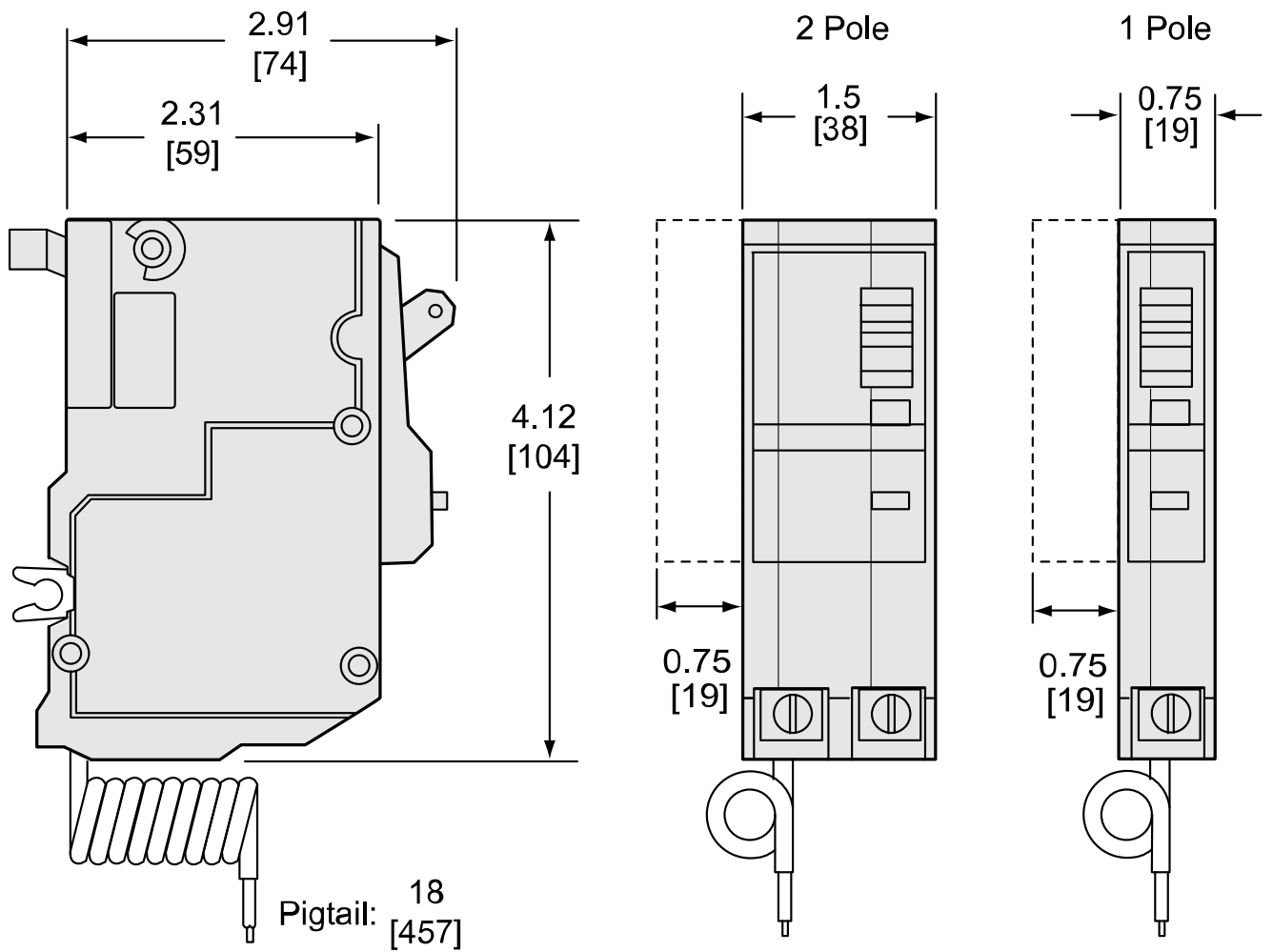
Offer Sustainability

Sustainable offer status	Green Premium product
California proposition 65	WARNING: This product can expose you to chemicals including: Lead and lead compounds, which is known to the State of California to cause cancer and birth defects or other reproductive harm. For more information go to www.P65Warnings.ca.gov
REACH Regulation	REACH Declaration
EU RoHS Directive	Compliant EU RoHS Declaration
Mercury free	Yes
China RoHS Regulation	China RoHS declaration Product out of China RoHS scope. Substance declaration for your information.
RoHS exemption information	Yes
Environmental Disclosure	Product Environmental Profile
Circularity Profile	End of Life Information

Contractual warranty

Warranty	18 months
----------	-----------

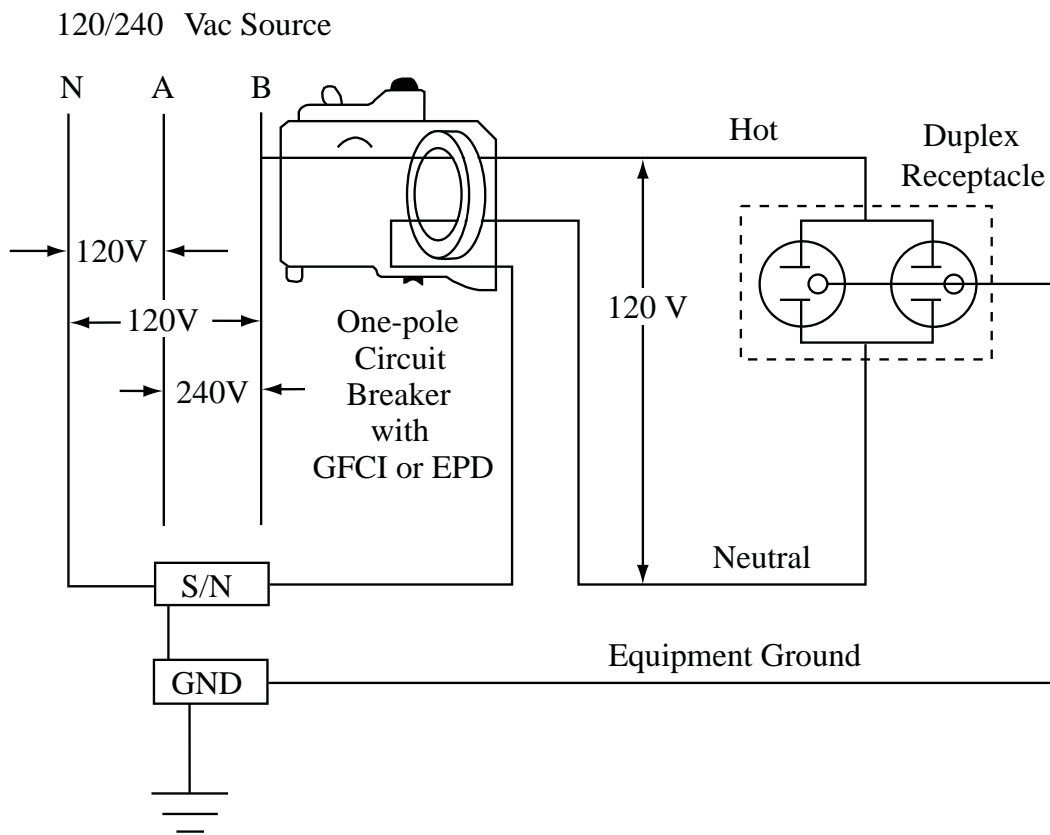
Dimensions



in.
[mm]

Wiring Diagram

Typical One-Pole GFCI Wiring



Recommended replacement(s)