

Features

- Rated currents 25A
- General purpose three phase-four line filtering
- Voltage rating 300 and 520VAC for world wide acceptance

RS PRO EMI FILTER

RSStock No.:2378762, 2378763

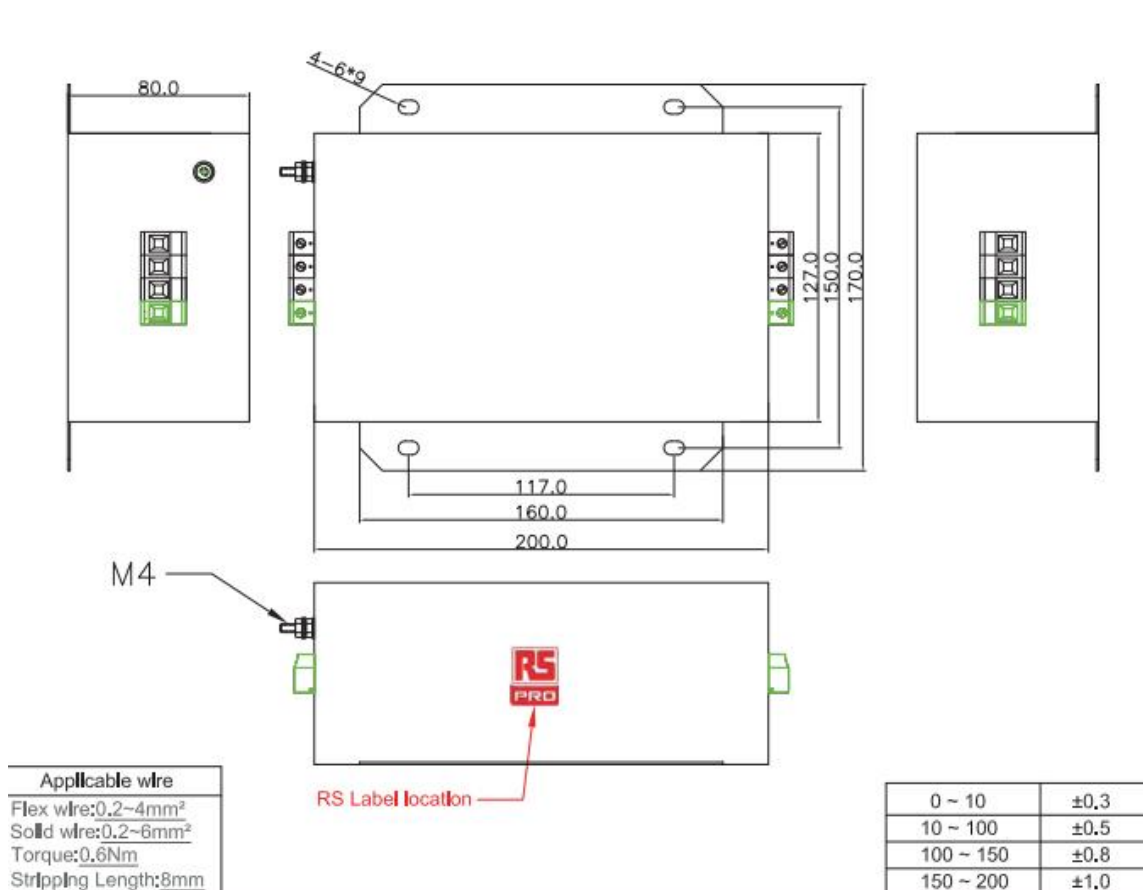


RS PRO Professionally Approved Products bring to you professional quality parts across all product categories. Our product range has been tested by engineers and provides a comparable quality to the leading brands without paying a premium price.

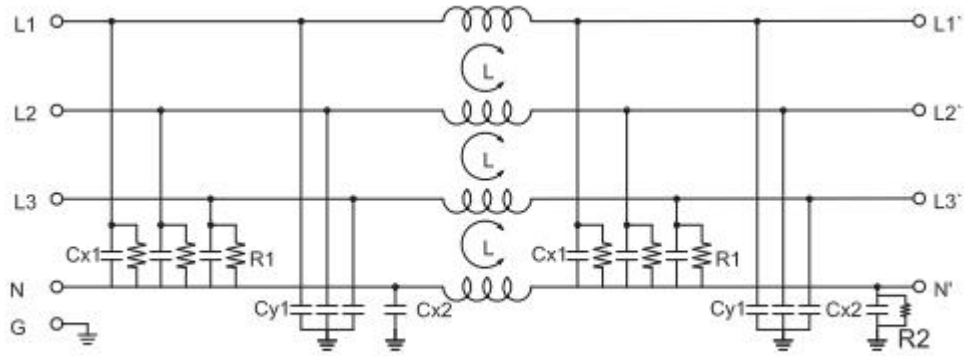
Approvals

Declarations	CE
Standards Met	IEC/EN 60939

Physical Dimensions



Electrical Schematic



Insertion loss table (In 50ohm system according IEC/CISPR No.17)

———— Common mode - - - - - Differential mode

25A

