



ENGLISH

Datasheet

Stock No: 292-7941

RS Pro Straight 50Ω Cable Mount TNC Connector



Product Details

TNC connector

TNC solder / crimp plug

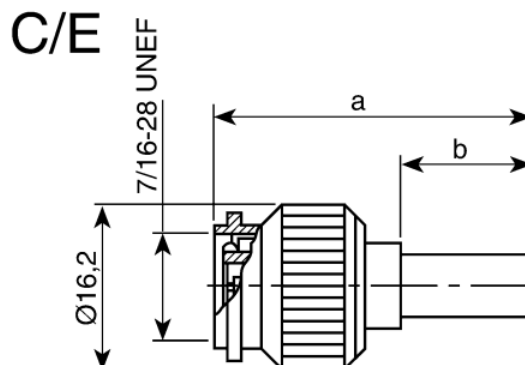
For fast and effective connection to frequently used coaxial cables

Installation instructions supplied

Nickel Plated

Brass bodied TNC connectors with PTFE insulators and gold plated contacts.

Dimensions (mm)		
Type	a	b
C	31.2	13
E	30.3	11





ENGLISH

Specifications:

Gender	Male
Body Orientation	Straight
Termination Method	Crimp
Mounting Type	Cable Mount
Cable Type	RG174/U, RG188 A/U, RG316/U
Impedance	50Ω
Operating Frequency	0 → 11GHz
Contact Plating	Gold over Nickel over Copper
Contact Material	Beryllium Copper