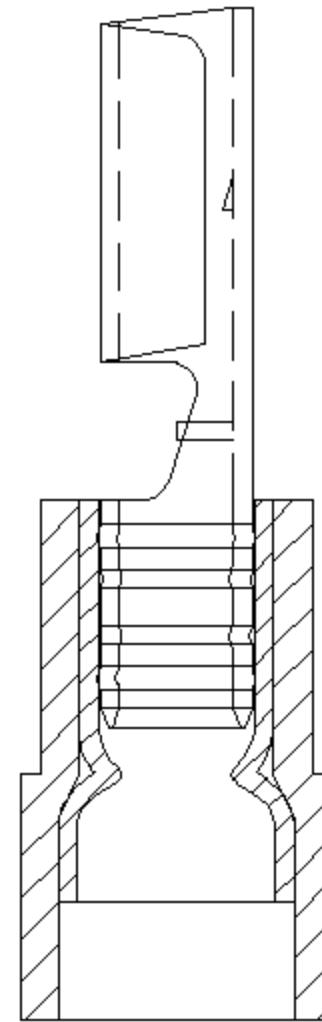
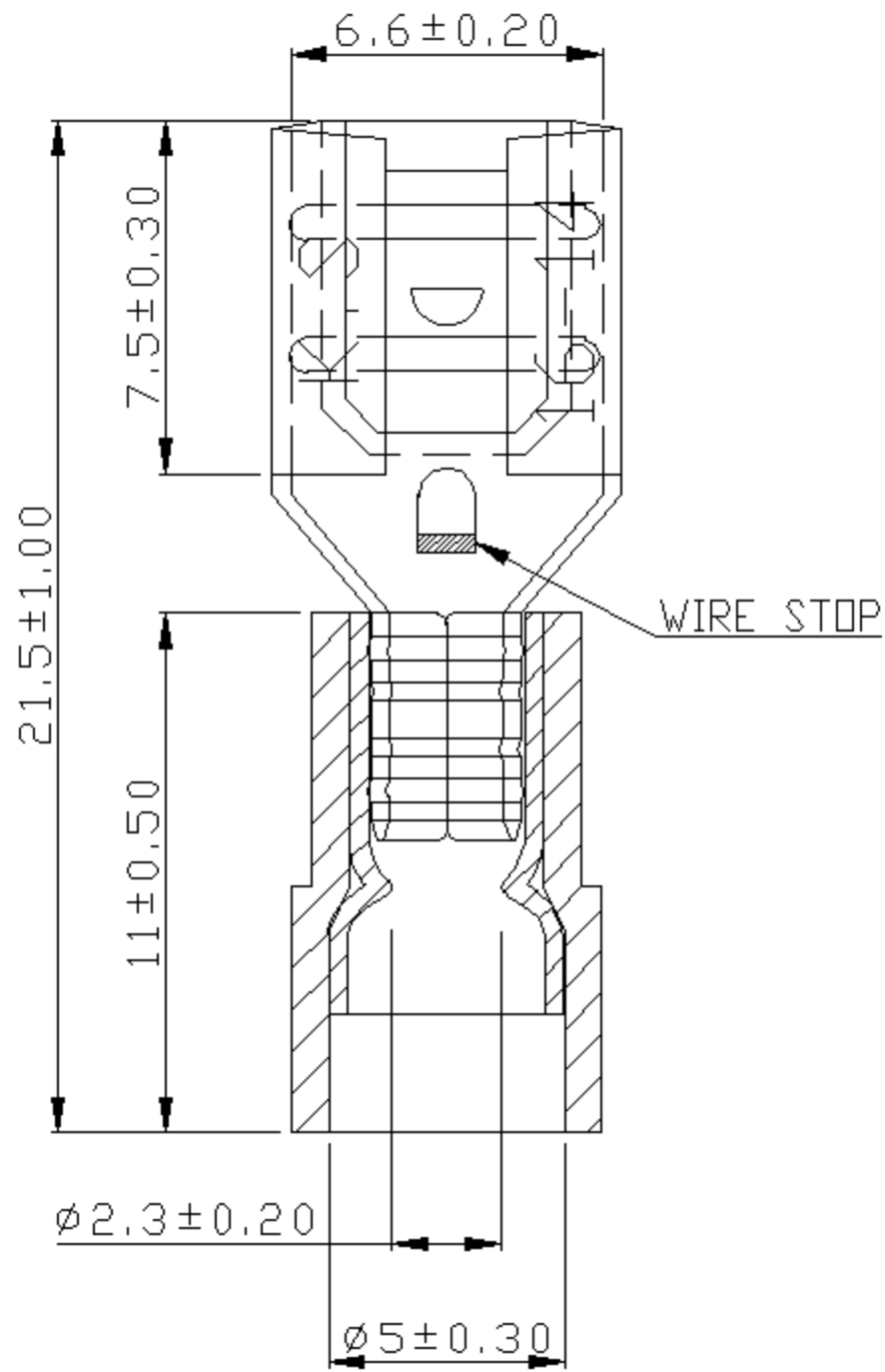
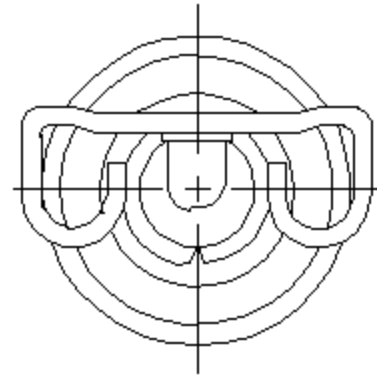


REV	DESCRIPTION	DATE
-----	-------------	------



NOTE:

- MAXIMUM ELECTRIC CURRENT :

A.W.G.	16	14	
AMP.	10	15	
- MAXIMUM ELECTRICAL RATING : 105°C 600 VOLTS MAX.
- INSULATION MATERIAL : NYLON
- INSULATION COLOR : BLUE
- TERMINAL MATERIAL : BRASS
- WIRE RANGE : 16-14 A.W.G.(1.5-2.5 mm²)
- TERMINALS SURFACE TREATMENT : TIN PLATED
- DOUBLE CRIMP : WITH COPPER SLEEVE ON BARREL
- NEMA TAB : 0.032 * 0.250 (0.8 * 6.35)
- TERMINALS THICKNESS : 0.40 mm

Tolerance Unless Otherwise Specified		
0 > 6 mm	±0.20	ANGLE
6 > 18 mm	±0.30	0° > ° REF ±
18 > 30 mm	±0.40	° > ° ±
30 > 75 mm	±0.50	° > ° ±

NAME	NYLON-INSULATED DOUBLE CRIMP FEMALE DISCONNECTORS			UNIT	mm	
PART NO.	FDNYD2-250	MATERIAL	-----	APPROVE		
NUMBER	KA-951109-C	SCALE	SHEET	PAGE	CHECKED	
DATE	2006/08/14	4/1	1-0	10F2	DRAWN	張馨尹

