



Datasheet

RS PRO Push On Feet 103

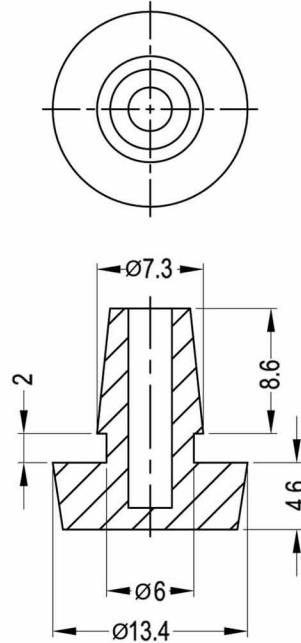
Stock number: 172-0860

EN



DIMENSIONS	TOLERANCE
<4mm	±0.15
4mm~15mm	±0.20
15mm~30mm	±0.30
30mm~50mm	±0.50
50mm~100mm	±1.00

REVISIONS			
REV	DESCRIPTION	DATE	BY
01	NEW DRAWING	2016-10-28	Jack Xu



NOTES:
1.FLAME CLASS: UL94 HB
2.Hole Dia.Ø6.0~Ø6.1mm.
3.Panel Thickness 1.9mm

Unit:mm

SCALE	3:1	PART NAME	Soft Fast Foot
COLOR	BLACK	PART NO.	172-0860
DRAWN	ALEX	MATERIAL	TPV
CHECK	JACK	DRAWING NO.	KS180713-2
APPROVED	GARY	DRAWING DATE	2016-10-28