

Norgren Guardian 49 Series R49G - Pressure Regulators



- > **Port size:**
1/8 ... 1/2" (ISO G)
- > **Design allows in-line installation or modular installation with other 49 series products.**
- > **Integrated gauge reduces mounting time**
- > **Push to lock adjusting knob**



Technical features

Medium:

Compressed air, filtered to better than 40 µm

Maximum operating pressure:

10 bar (145 psi)

Flow:

50 l/s max., at port size 1/2", 10 bar inlet pressure, pressure set at 6,3 bar and 1 bar pressure drop from set.

Pressure range:

0,5 ... 8,5 bar (7,25... 123 psi)

Port size:

G1/8, G1/4, G3/8, G1/2

Ambient/Media temperature:

0 ... +60°C (+32 ... +140°F)

Air supply must be dry enough to avoid ice formation at temperatures below +2°C (+35°F).

Materials:

Valve Body: Anodised Aluminum

Main valve: Brass

Bonnet: Polyamide

Elastomers: Nitrile

Technical data - standard models

Symbol	Port size	Flow rate (l/s)	Weight (kg)	Model	
				with gauge	without gauge
	G1/8	10	0,16	R49G-1GK-RMG	R49G-1GK-RMN
	G1/4	15	0,15	R49G-2GK-RMG	R49G-2GK-RMN
	G3/8	25	0,46	R49G-3GK-RMG	R49G-3GK-RMN
	G1/2	50	0,45	R49G-4GK-RMG	R49G-4GK-RMN

Option selector

R49G-★★K-RL★

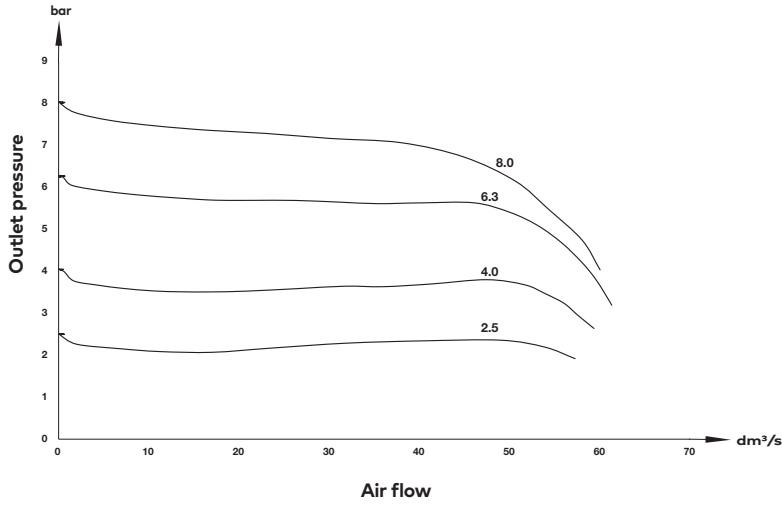
Port size	Substitute
1/8"	1
1/4"	2
3/8"	3
1/2"	4
Thread form	Substitute
ISO G	G

Gauge	Substitute
Single scale gauge (bar)	G
Dual scale gauge (bar/MPa)	M
Without	N
Pressure range *1)	Substitute
0,5 ... 8 bar	L





1*) Outlet pressure can be adjusted in excess of and less than those specified. Do not use these units to control pressures outside of the specified ranges.

Flow characteristics

Range 0,5 ... 8,5 bar
 Port size 1/2"
 Inlet pressure: 10 bar



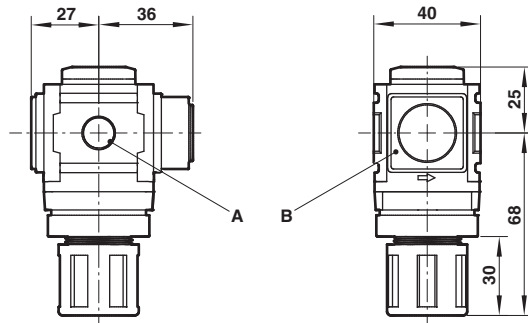
Accessories

	L Bracket	C Bracket	T Bracket *1)	Gauge
				
Port size	Page 4	Page 4	Page 4	Page 5
G1/8 & G1/4	49B-011	49B-021	49B-031	49B-GS01 (bar) 49B-GS03 (bar/MPa)
G3/8 & G1/2	49B-012	49B-022	49B-032	49B-GS02 (bar) 49B-GS04 (bar/MPa)

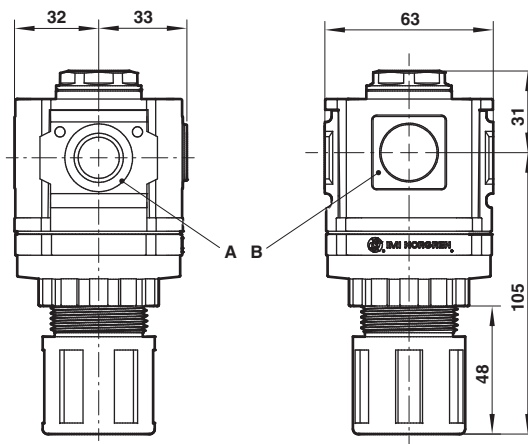
1) T Bracket can be used only when two or more parts of the same port size, or with other 49 Series FRL products are connected

Dimensions
G1/8 & G1/4

Dimensions in mm
Projection/Third angle



G3/8 & G1/2



Port size (A)	B	Model
G1/8	without gauge	R49G-1GK-RMN
G1/8	with gauge	R49G-1GK-RMG
G1/4	without gauge	R49G-2GK-RMN
G1/4	with gauge	R49G-2GK-RMG
G3/8	without gauge	R49G-3GK-RMN
G3/8	with gauge	R49G-3GK-RMG
G1/2	without gauge	R49G-4GK-RMN
G1/2	with gauge	R49G-4GK-RMG

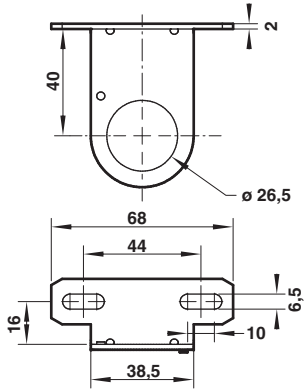
Accessories

Dimensions in mm
Projection/Third angle



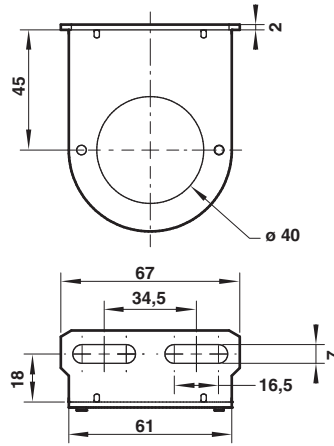
L Bracket

49B-011



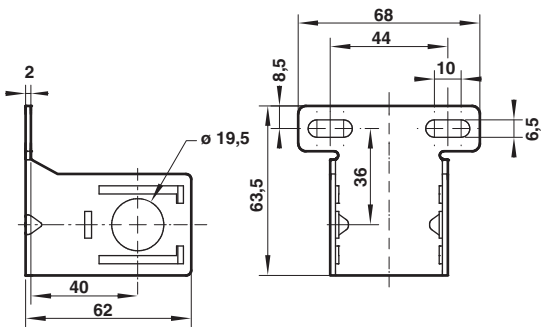
L Bracket

49B-012



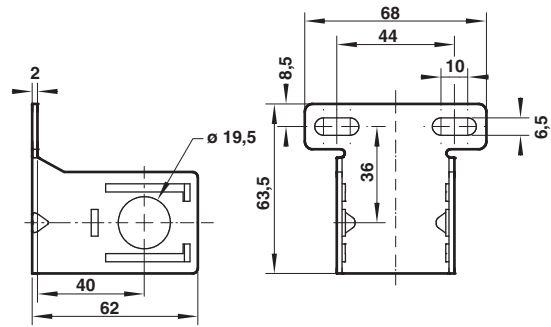
C Bracket

49B-021



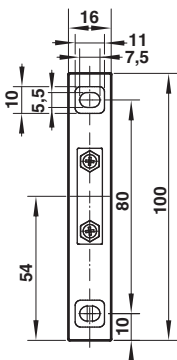
C Bracket

49B-022



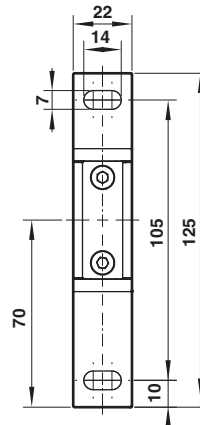
T Bracket

49B-031



T Bracket

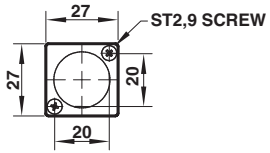
49B-032



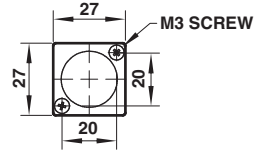


Accessories

**Gauge
49B-GS01**



**Gauge
49B-GS02**



Dimensions in mm
Projection/Third angle

