



ENGLISH

**Datasheet**

# RS PRO IP68 USB-A 2.0 – Metal Panel Mount with 300mm Cable to USB-A 2.0 Plug



The RS PRO series of waterproof metal USB-A connectors are a range of ruggedised IP68 connectors designed to be used outdoors or in harsher industrial environments. Designed to fit panel cut outs of 25.5mm the metal USB-A series also comes with rear potting on the panel mount connectors. This ensures your panel is still sealed to an IP68 rating even when the connector is unmated, and the sealing cap is not connected. The threaded mating allows for a secure connection while the Gold-plated contacts and USB Version 2.0 ensures 480Mbps data speeds.

## Features & Benefits:

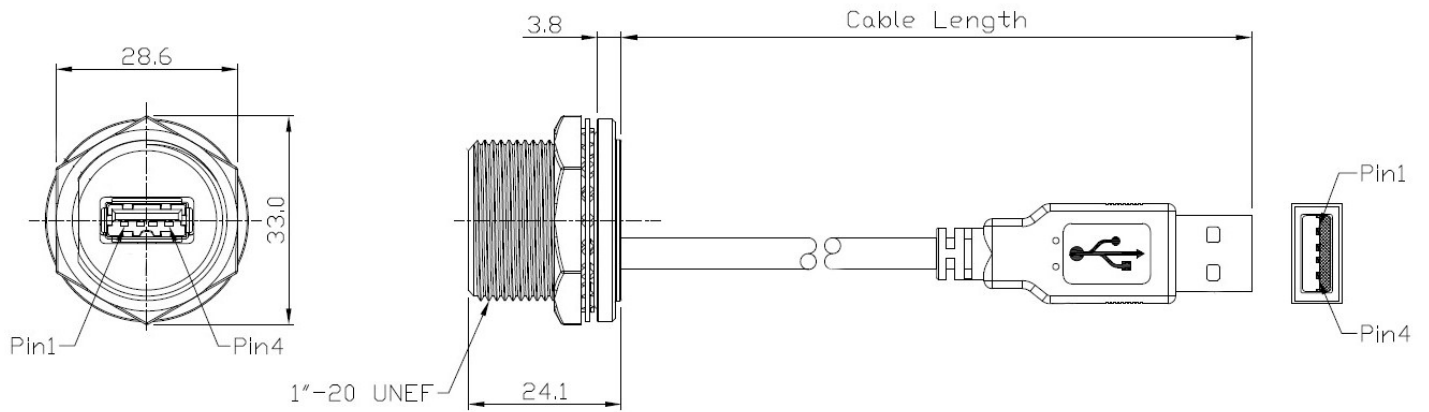
- Nickel Plated Zinc Alloy Housing
- IP68
- Rear Potted
- Threaded Mating
- USB-A 2.0
- Speeds up to 480Mbps

## Quality Standards



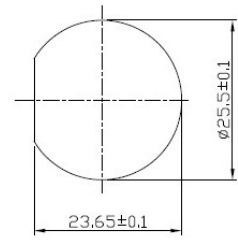
# Dimensional line drawings

## 231-7937



	Shell	Drain	Shell
	4	Black	4
	3	Green	3
	2	White	2
	1	Red	1
Twist			

Wiring Diagram



Recommend Panel Cut-Out