

Diecast Aluminium Enclosures with the Flanges

multicomp PRO

**RoHS
Compliant**



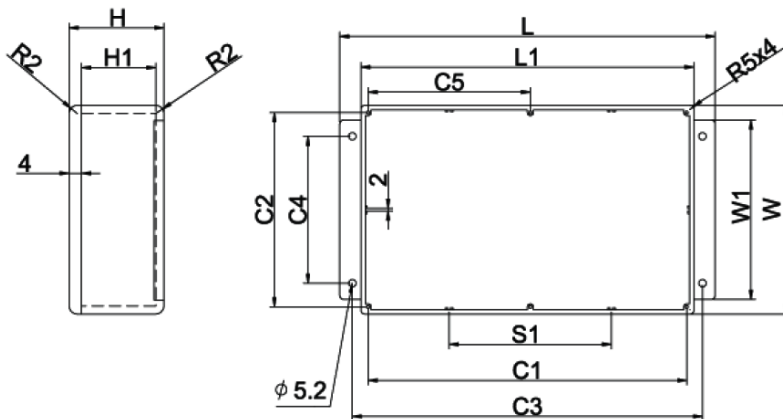
Description

Aluminium enclosures with flanges for fastening on the installation place or on the wall. These aluminium enclosures are supplied with additional sealing gaskets to provide the ingress protection from dust and moisture IP66.

Features

- Ingress protection from dust and moisture IP66 is provided by the use of the additional sealing gaskets.
- Mounting flanges, located in the lower part of the enclosure, allow fastening the device on the installation place, including the wall.
- Stainless steel M3.5 flat-head screws are supplied with the enclosure for lid fastening.
- Holes for lid fastening are provided on the enclosure.
- Aluminium alloy ADC-12
- Natural colour

Diagram



Dimension Table

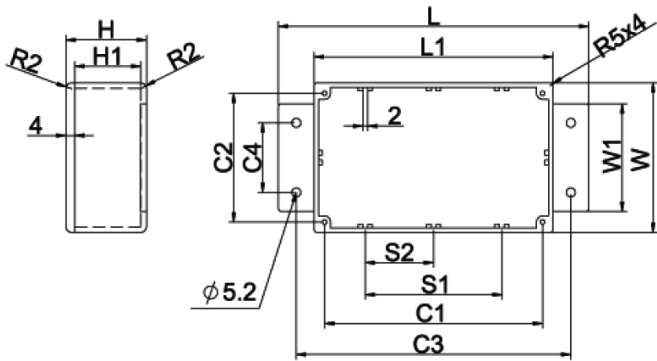
Part Number	L	L1	W	W1	H	C1	C2	C3	C4	S1	C5	H1
MC003604	252	222.3	146.1	117.1	55.5	211.7	135.6	238	98	100.1	105.8	48.9
MC003602	201.7	171.9	121.2	100.1	55.3	160.6	109.5	189	80	80	80.3	48.4
MC003601	184.8	165.6	127.4	100	76.3	154.1	116.1	182.2	80	78	77.2	69.8
MC003603	201.7	171.9	121.2	100.2	105.4	160.6	109.5	188.9	80	80	80.3	99.2

Dimensions : Millimetres

Newark.com/exclusive-brands
Farnell.com/exclusive-brands
Element14.com/exclusive-brands

multicomp PRO

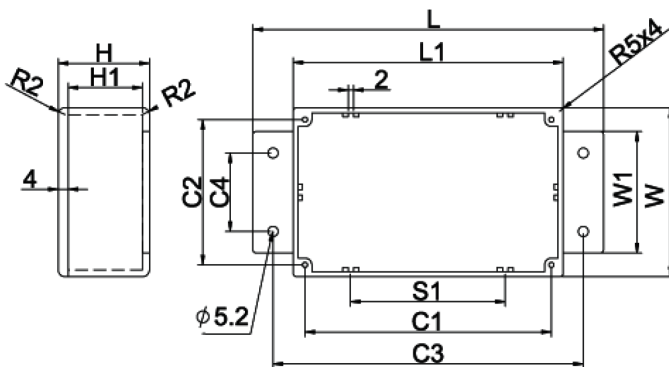
Diecast Aluminium Enclosures with the Flanges



Dimension Table

Part Number	L	L1	W	W1	H	C1	C2	C3	C4	S1	S2	H1
MC003596	139.7	114.6	63.8	44.7	30	104.5	54.2	127	30	60.1	30	24.4
MC003597	139.6	114.6	63.8	44.9	55	104.6	54.3	127.1	30	60.1	30	49.1

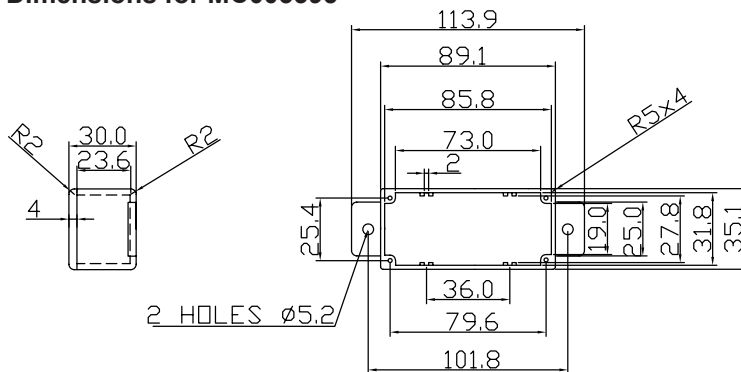
Dimensions : Millimetres



Dimension Table

Part Number	L	L1	W	W1	H	C1	C2	C3	C4	S1	H1
MC003599	149.8	120.1	100.2	80	35.6	108.2	88.3	137	60	45.2	28.8
MC003600	168.7	139.3	101.6	79	76.5	128.8	90.9	157.1	60.1	65	70.1

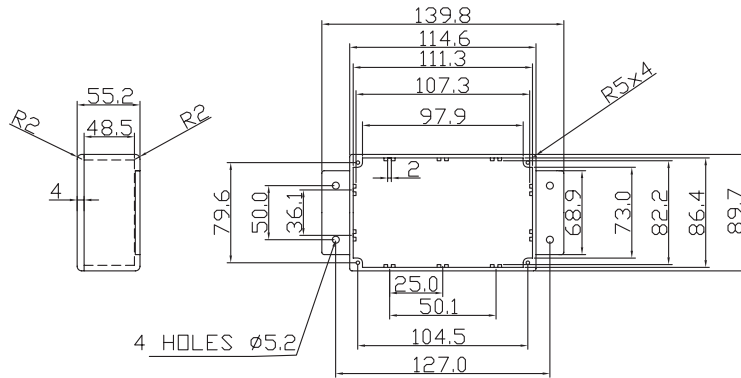
Dimensions for MC003595



Dimensions : Millimetres

Diecast Aluminium Enclosures with the Flanges

Dimensions for MC003598



Dimensions : Millimetres

Part Number Table

Description	Part Number
IP66 Natural Colour Diecast Aluminium Enclosure	MC003604
	MC003596
	MC003597
	MC003599
	MC003598
	MC003602
	MC003600
	MC003601
	MC003595
	MC003603

Important Notice : This data sheet and its contents (the "Information") belong to the members of the AVNET group of companies (the "Group") or are licensed to it. No licence is granted for the use of it other than for information purposes in connection with the products to which it relates. No licence of any intellectual property rights is granted. The Information is subject to change without notice and replaces all data sheets previously supplied. The Information supplied is believed to be accurate but the Group assumes no responsibility for its accuracy or completeness, any error in or omission from it or for any use made of it. Users of this data sheet should check for themselves the Information and the suitability of the products for their purpose and not make any assumptions based on information included or omitted. Liability for loss or damage resulting from any reliance on the Information or use of it (including liability resulting from negligence or where the Group was aware of the possibility of such loss or damage arising) is excluded. This will not operate to limit or restrict the Group's liability for death or personal injury resulting from its negligence. Multicomp Pro is the registered trademark of Premier Farnell Limited 2019.