

Features

- Space saving, compact design.
- Modular design can be joined together.
- Jumper Link accessory to electrically connect blocks together.
- Tinned copper block for improved connectivity.
- IP20 Protection.
- UL Finger safe.
- Cable fixing screw dia'= >95% fill ratio of terminal.
- Semi translucent cover allows for visual inspection.
- Hinged, removeable cover for ease of access to screw heads.
- DIN Rail or Surface Mounting.

RS PRO Distribution Blocks 125 Amp 690Vac/dc IEC 150 Amp 600Vac/dc UL/CSA

RS Stock No.: 237-4279



RS PRO Professionally Approved Products bring to you professional quality parts across all product categories. Our product range has been tested by engineers and provides a comparable quality to the leading brands without paying a premium price.

Product Description

RS PRO Distribution Terminal Blocks save space and increase wiring efficiency of large incoming cable supplies by offering one large input terminal and multiple smaller outgoing terminals.

The tinned copper block construction ensures excellent connectivity, while the translucent, hinged, removeable protection cover allows for visual inspection of the connection.

Safety is afforded by the UL Approved finger protection.

The large Hex-drive clamping screws are a minimum of 95% of the terminal internal diameter for excellent electrical contact:

- Used to split large cable incoming supplies to multiple smaller cables/loads
- Typically used in Control Panels and electrical equipment with multiple internal circuits taking their supply from one source

Mechanical Specifications

| | |
|-----------------------------|--|
| Contact block material | Tinned Copper |
| Housing Material | Self-quenching UL Approved thermoplastic |
| Mounting | 35mm DIN Rail or Surface Mounting |
| Operating temperature range | 20°C ~ +80°C |

Electrical Specifications

| | |
|-------------------------------|---|
| Maximum Current | 125 Amps IEC, 150 Amps UL/CSA |
| Maximum input Voltage | Vi 690V IEC, Vin 600V UL. |
| Cable sizes: metric | Incoming 10 – 35mm ² X 1. + 6...16mm ² x 1 (or jumper link) |
| | Outgoing 2.5...16mm ² X 6 |
| Cable sizes: U.S. Regulations | Incoming 8...1/0AWG X 1. 14...4AWG X 1 |
| | Outgoing 14...4AWG X 6 |

Protection Category

| | |
|-----------|--|
| IP rating | IP20, Finger proof to UL Approval standards. |
|-----------|--|

Classification

| | |
|-----|---------------|
| IEC | IEC 60947-7-1 |
|-----|---------------|

Approvals

| | |
|------------------------------|--------------------|
| Declarations | UKCA, CE, UL, RoHS |
| Hazardous Area Certification | N/A |

Similar Products

| Stock No. | Brand | Product Name | IEC | UL/CSA |
|------------|--------|--------------------|----------|----------|
| RS237-4285 | RS PRO | Distribution Block | 80 Amps | 85 Amps |
| RS237-4281 | RS PRO | Distribution Block | 160 Amps | 200 Amps |
| RS237-4282 | RS PRO | Distribution Block | 250 Amps | 255 Amps |
| RS237-4283 | RS PRO | Distribution Block | 400 Amps | 335 Amps |
| RS237-4284 | RS PRO | Distribution Block | 500 Amps | 520 Amps |

Accessory

| | |
|------------------------|---|
| Jumper Link | |
| Stock number RS2374286 | Only for use with RS2374279 and RS2374281 |

Dimensions

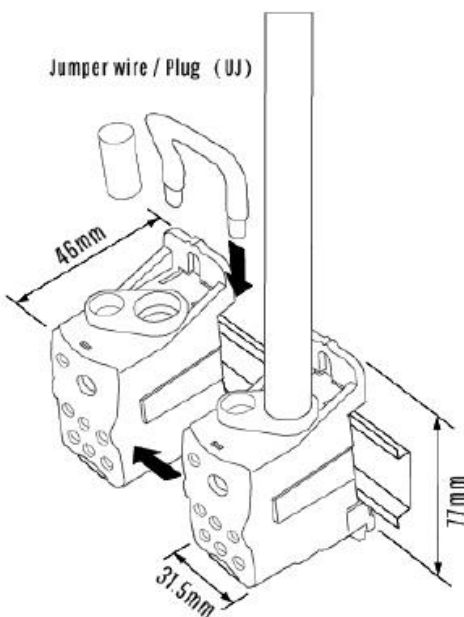


Figure 1 Jumper link **RS2374286**



Illustration showing 2 x Distribution blocks connected with jumper link **RS2374286**. Note that the blocks dovetail together to create a solid assembly.