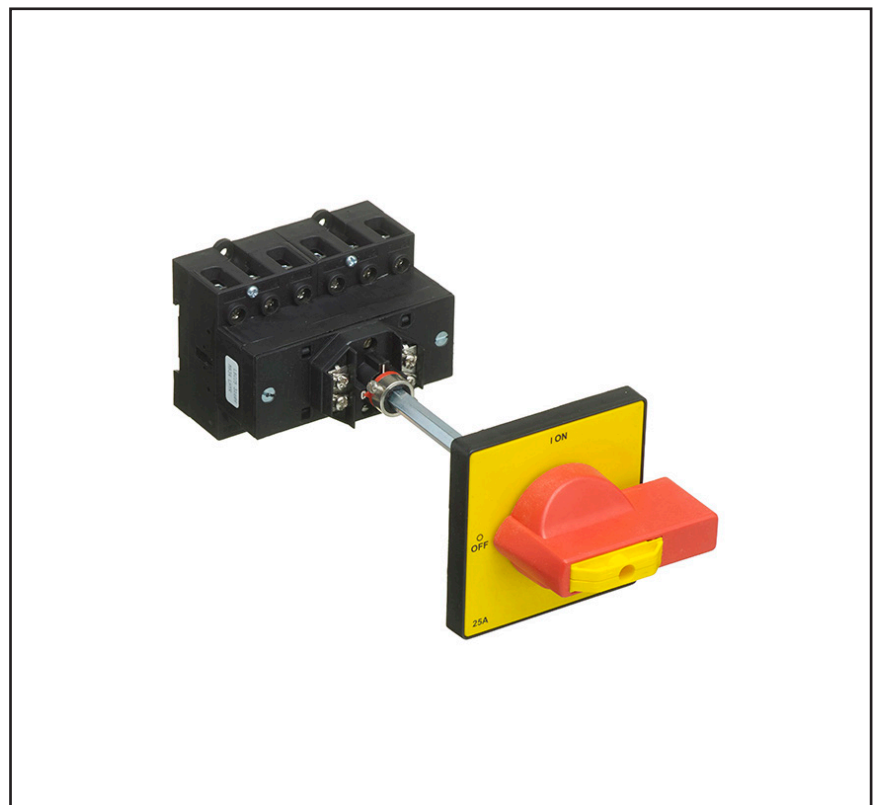


## Features

- 6 Pole
- Padlockable in the OFF Position
- Rear mount or snap on din rail mount (35mm)
- Shaft length 94mm
- Shaft 8mm across flats (Hexagonal)
- AC-22 switch rating
- Shaft can be cut down

## RS PRO Door Interlock Switch-Disconnectors

RS Stock No.: 773-7970, 773-7976, 773-7982,  
773-7986, 773-989



RS PRO is the own brand of RS. The RS PRO Seal of Approval is your assurance of professional quality, a guarantee that every part is rigorously tested, inspected, and audited against demanding standards. Making RS PRO the Smart Choice for our customers.

## Product Description

Padlockable in the OFF position, Rear mount or snap on din rail mount (35mm), Shaft Length 94mm, Shaft 8mm across flats (Hexagonal), Use rubber gasket (LBGASKET) for IP65 rating, AC-22 switch rating, Shaft can be cut down.

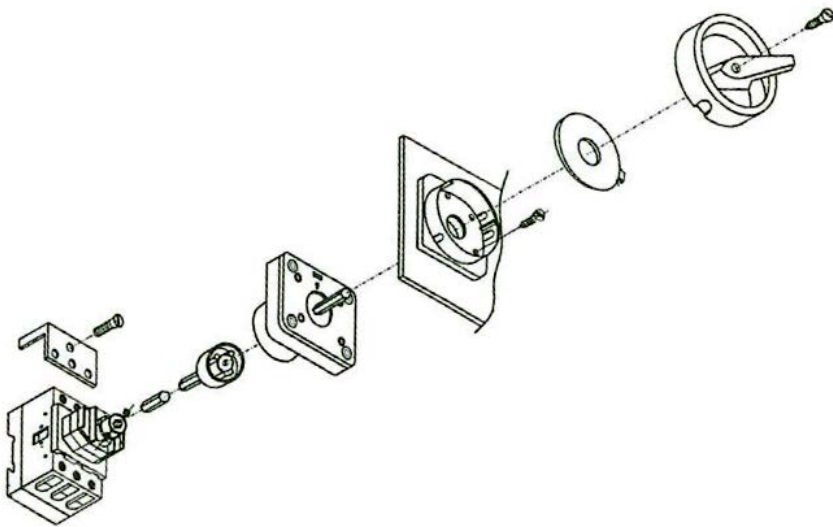
### Features & Benefits

- Enhanced safety
- Easy installation
- Robust and durable
- Wide product range
- Added safety and security
- Compact solution
- Flexible installation
- User friendly design
- Easy and economical solution
- Wide range of applications

## General Specifications

Approvals			CB, CE & SEMKO					
UL Standard			UL508					
International / European Standard			IEC & EN 60947-1 and 3					
			Switch Codes					
<b>Data</b>	<b>Range</b>	<b>Units</b>	<b>773-7976</b>	<b>773-7970</b>	<b>773-7989</b>	<b>773-7982</b>	<b>773-7986</b>	
<b>Rated operational voltage Ue</b>								
IEC & EN		Volts	V	690	690	690	690	690
UL		Volts	V	600	600	600	600	600
Main switch: Isolating voltage up to		Volts	V	750	750	750	750	750
Rated impulse withstand voltage Uimp		Volts	kV	6	6	6	6	6
Rated uninterrupted current Iu		Amps	A	25	32	63	80	125
<b>Rated operational current Ie</b>								
IEC & EN	AC-22A	Up to 690V	A	25	32	63	80	125
	AC-21A	Up to 690V	A	32	40	80	80	125
	AC-1	Up to 690V	A	32	40	80	80	125
<b>Rated operational power AC-23A (50-60Hz)</b>								
IEC & EN	3 Phase	230(240)V	kW	11	15	30	37	55
		400(415)V	kW	15	18.5	37	45	75
		690V	kW	22	22	45	90	90
<b>Rated operational power AC-3 (50-60Hz)</b>								
IEC & EN	3 Phase	230(240)V 230(240)V	kW	7.5	11	22	30	45
		400(415)V	kW	11	11	22	37	55
		690V	kW	15	15	30	55	55
<b>UL Power Rating</b>								
DOL	3 Phase	120V	hp	3	3	7.5	5	7.5
		240V	hp	7.5	7.5	15	20	30
		480V	hp	15	20	25	30	40
		600V	hp	20	25	30	40	50
	1 Phase	120V	hp	1.5	2	3	3	3
		240V	hp	2	3	7.5	7.5	7.5
<b>UL Short Circuit Ratings</b>								
Fuse rating, class J		Amps	A	45	45	70	125	125
Fuse rating, class RK5		Amps	A	-	-	-	-	-
Rated Fused short circuit current		Amps	kA	10	10	10	10	10
<b>Short Circuit Capacity (IEC)</b>								
Max fuse size (Type gl)		Amps	A	32	32	63	125	125
Rated Fused short circuit current		Amps	kA	30	30	30	30	30
<b>Terminal Specification</b>								
Single/ Multiple strand wire			Min-mm2	2.5	2.5	2.5	2.5	2.5
			Max-mm2	10	10	25	50	50
Fine strand with sleeve			Min-mm2	0.75	0.75	2.5	4	4
			Max-mm2	6	6	10	50	50
Recommended Tightening Torque			Nm	1.7	1.7	2.0	2.5	2.5

## Technical Diagrams



### 6 Pole Dimensions

