



Product Datasheet

ENGLISH

Bare Direct Drive Reel for 60m x 12mm Hose



Bare Direct Drive Reel for 60m x 12mm Hose

Heavy duty manual or motor rewind hose reel with a one piece A frame welded base. A open slot design drum and low profile outlet riser ensure smooth non kinking motion.

**Specification**

TYPE	
Manual & Motor	Hand Crank: Electric, Air or Hydraulic

HOSE	
I.D. (Inside Diameter)	12mm
Length(m)	61
Pressure(BAR)	210
No. of Hoses	1 - Single
Supplied with Hose	No

APPLICATIONS	
Media	Air, Water or Oil
Construction	Steel
Max Working Temp	99°C
Weight	18 kg

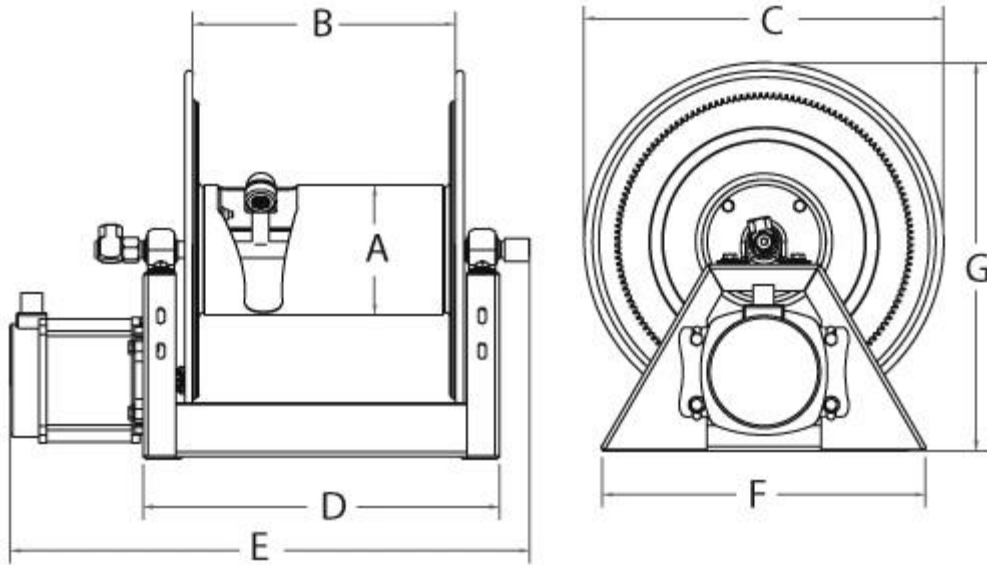
SWIVEL	
Material	Brass
Seals	Nitrile

CONNECTION	
Inlet	1/2"
Outlet	1/2"



Dimensions

ENGLISH



A	B	C	D	E	F	G
159	305	445	441	Crank:705 Elec:619 Air:264	385	Crank:460 Elec:476 Air:476

All dimensions are in mm