

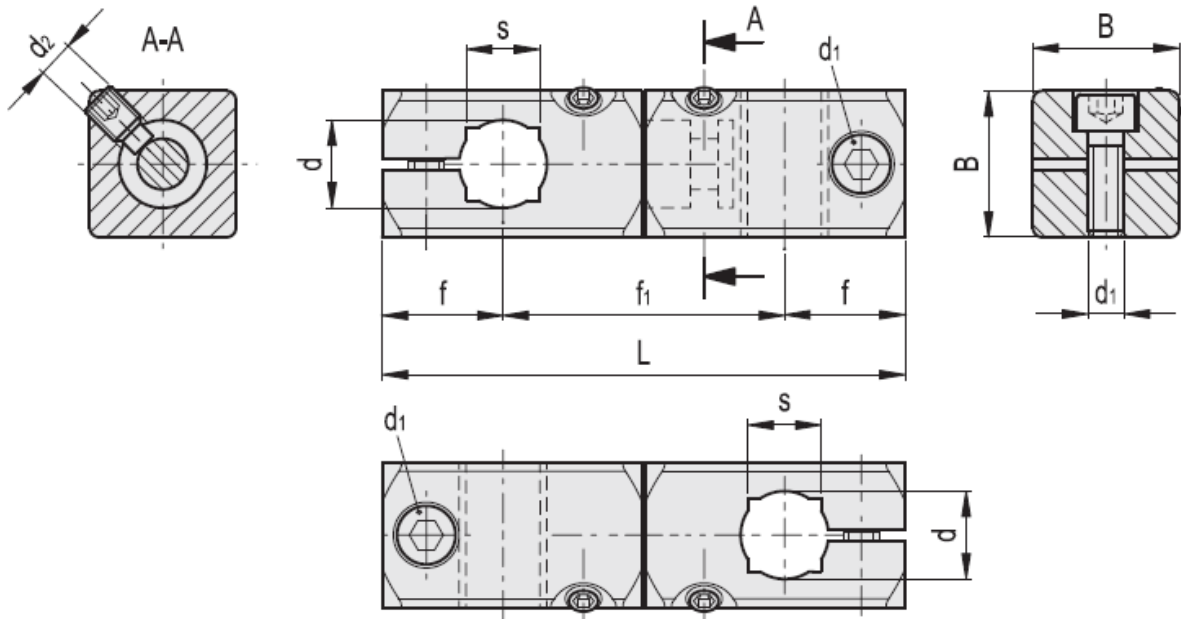
Datasheet

Twistable Two-Way Connecting Clamps



Specifications

- Material
Aluminium.
- Clamping screws
AISI 304 stainless steel with hexagon socket.
- Standard executions
 - MSM-G-ANB: anodised aluminium, black colour.
 - MSM-G-MT: natural aluminium, matte finish.



Main Dimensions								
Stock No.	d	L	B	d1	d2	f	f1	s
7865999	8	52.5	16	M4	M	13	26.5	-
7866037	10	63.5	20	M5	M5	15.5	32.5	8
7866071	12	71.5	20	M5	M5	16.5	38.5	10
7866107	15	87.5	25	M6	M6	20	47.5	12
7866135	16	90.5	25	M6	M6	20	50.5	-