

Push button Switch

multicomp PRO

**RoHS
Compliant**



MP008558



MP008559

Description

LED Push Button Switch – compact, latching push button switches with 12V LED illumination.

Features

- 20mm cut-out
- DPST on-off
- 12V DC
- Red or Green LED illumination

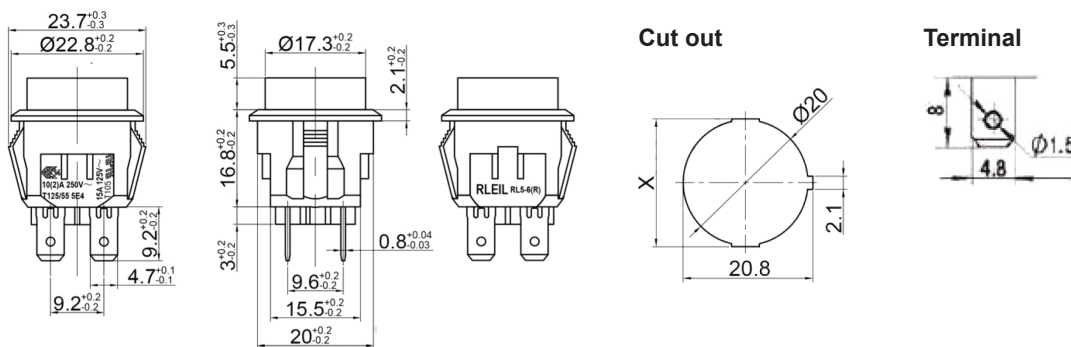
Materials

- Housing: Nylon #66 UL 94V-2
- Button: Nylon #66 UL 94V-2
- Terminal: Copper alloy Ag plated
- Contact: AgSnO₂In₂O₄(10)/Cu

Specifications

Rating	: 12V DC 10A
Colour	: Black Housing, Red or Green Illuminated
Switch Action	: ON-OFF DPST 4P with Lamp 12V
Lamp	: LED
Contact resistance	: 30mΩ max
Insulation resistance	: DC500V 100mΩ min
Withstand voltage	: AC1500V 1 minute
Electrical life	: 1000 cycles at full load
Operation force	: 1000gf to 1400gf
Operating temperature	: -25°C to +125°C
IP Rating	: IP40

Dimensions



Dimensions : Millimetres

Part Number Table

Description	Part Number
Push button Switch, DPST, 12V, Red Illuminated	MP008558
Push button Switch, DPST, 12V, Green Illuminated	MP008559

Important Notice : This data sheet and its contents (the "Information") belong to the members of the AVNET group of companies (the "Group") or are licensed to it. No licence is granted for the use of it other than for information purposes in connection with the products to which it relates. No licence of any intellectual property rights is granted. The Information is subject to change without notice and replaces all data sheets previously supplied. The Information supplied is believed to be accurate but the Group assumes no responsibility for its accuracy or completeness, any error in or omission from it or for any use made of it. Users of this data sheet should check for themselves the Information and the suitability of the products for their purpose and not make any assumptions based on information included or omitted. Liability for loss or damage resulting from any reliance on the Information or use of it (including liability resulting from negligence or where the Group was aware of the possibility of such loss or damage arising) is excluded. This will not operate to limit or restrict the Group's liability for death or personal injury resulting from its negligence. Multicomp Pro is the registered trademark of Premier Farnell Limited 2019.

Newark.com/multicomp-pro
Farnell.com/multicomp-pro
Element14.com/multicomp-pro

multicomp PRO