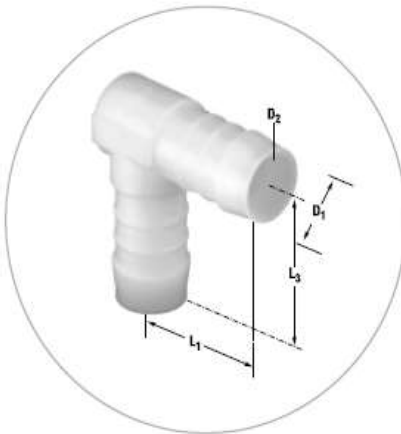
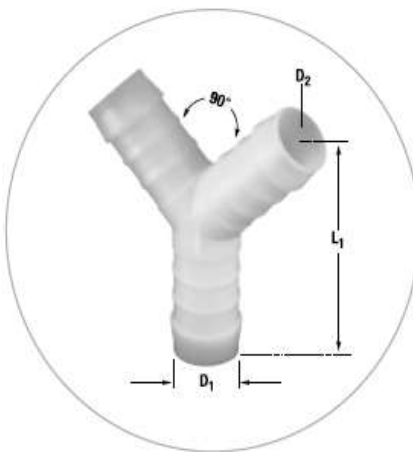


	<b>D1</b>	<b>D2</b>	<b>L1</b>
419-7287	3	2.5	25
419-7300	4	2.7	35
795-332	5	3	45
795-348	6	4	49
795-354	8	5.6	56
795-360	10	7	63
795-376	12	8.6	66.5
419-7316	16	12	75
795-382	19	15	76



	<b>D1</b>	<b>D2</b>	<b>L1</b>	<b>L3</b>
419-7221	3	2.5	12.5	12.5
419-7237	4	2.5	17.5	19.5
795-455	5	3	21	22
795-461	6	4	25	26
795-477	8	5.6	29	30
795-483	10	7	31	33.5
795-499	12	8.6	34.5	36
419-7243	16	12	40.5	45
795-506	19	15	43.5	46



	<b>D1</b>	<b>D2</b>	<b>L1</b>
419-7259	3	2.5	21
419-7265	4	2.5	25.5
795-512	5	3	43
795-528	6	4	44
795-534	8	5.6	51
795-540	10	7	54
795-556	12	8.6	64
419-7271	16	12	67
795-562	19	15	72

**D1: Joiner Outer Diameter**

**D2: Joiner Inner Diameter**

**L1: Length**

\*Joiner Outer Diameter = Hose Inner Diameter