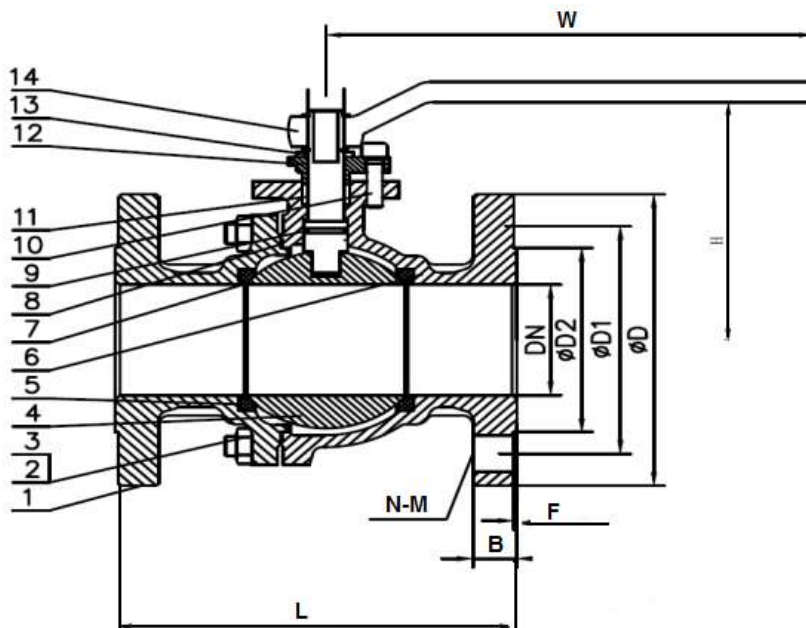


# ANSI 300# Stainless Steel 2 Piece Flange Ball Valves

## Features

- Full Bore
- ANSI 300# Flange Connection
- Sizes: 1/2" - 6" (DN15 - DN150)
- Working Pressure: 300#
- Valve Body Material: Stainless Steel SS316
- Fire-safe Design According to API 607
- Applicable Medium: General Oil, Gas & Water Applications
- Blow-out Proof Stem Design
- Temperature: -29 Deg C to 150 Deg C



## Technical Specifications

1. Basic design and manufacture according to API 6D
2. Face-to-face dimensions: ASME B16.10
3. Flange dimension: ANSI B16.5
4. Inspection and tested according to API598

Main Technical Parameter			
Normal pressure		300#	
Test pressure	Shell test pressure	6.0	MPa
	Tightness test	4.4	
	Gas-tightness test	0.6	
Max working temperature		-29 to 150	°C
Applicable medium: General oil, gas & water			

## Material List

No.	Part Name	Material	No.	Part Name	Material
1	Left Body	SS316, CF8M	8	Gasket	PTFE
2	Stud Bolt	SS304	9	O-Ring	PTFE
3	Nut	SS304	10	Hexagon Screw	SS304
4	Ball	SS316	11	Packing	PTFE
5	Seat	PTFE	12	Bonnet	SS316
6	Body	SS316, CF8M	13	Stop Block	SS304
7	Stem	SS316	14	Handle	SS201

## Ordering Information

VL - S - B2 - F - 300 - 08  
 I - II - III - IV - V - VI

### I Type of Item

VL Low Pressure Valves

### II Material Grade

S	SS316, CF8M	CI	Cast Iron
FS	Forged Steel	CS	Cast Steel
B	Brass		

### III Item

GA	Gate Valve	B1	1 PC Ball Valve
GL	Globe Valve	B2	2 PC Ball Valve
YS	Y-Strainer	B3	3 PC Ball Valve
SC	Swing Check Valve	BL	3 Way Ball Valve L Port
VC	Vertical Check Valve	BT	3 Way Ball Valve T Port
WC	Wafer Check Valve	BMF	Male x Female Mini Ball Valve
DD	Dual Disk	BU	Butterfly Valve

### IV Connection Type

SW	S/W	G	BSPP
BW	B/W	N	NPT
R	BSPT	F	Flange End
W	Wafer	L	Lug

### V Pressure

200	200 PSI	2000	2000 PSI
300	300 PSI	150	ANSI 150# Flange Standard
600	600 PSI	10K	JIS 10K Flange Standard
800	800 PSI	PN16	PN 16 Flange Standard
1000	1000 PSI		

### For Inch OD & Inch NB Sizes

#### VI Size

Size	1/8"	1/4"	5/16"	3/8"	1/2"	5/8"	3/4"	1"
Code	02	04	05	06	08	10	12	16
Size	1 1/4"	1 1/2"	2"	2 1/2"	3"	4"	5"	6"
Code	20	24	32	40	48	64	80	96

### VII Coating

(None) No Additional Coating  
 NI Nickel Plating

**Dimension List**

NPS (DN)	Connection	Impa Code	Part No	D	D1	D2	B	L	H	W	N- M	F	Weight (kg)
1/2"	Flange-end	-	VL-S-B2-F-300-08	95	67	35	14	140	73	155	4-14	2	-
3/4"	Flange-end	-	VL-S-B2-F-300-12	117	83	43	16	152	76	160	4-16	2	-
1"	Flange-end	-	VL-S-B2-F-300-16	124	89	51	16	165	86	180	4-16	2	-
1 1/4"	Flange-end	-	VL-S-B2-F-300-20	133	99	64	16	178	91	180	4-16	2	-
1 1/2"	Flange-end	-	VL-S-B2-F-300-24	155	114	73	16	190	119	200	8-16	3	-
2"	Flange-end	-	VL-S-B2-F-300-32	165	127	92	18	216	127	350	4-18	3	-
2 1/2"	Flange-end	-	VL-S-B2-F-300-40	190	150	105	18	241	136	400	8-19	3	-
3"	Flange-end	-	VL-S-B2-F-300-48	210	168	127	20	283	164	500	8-18	3	31.00
4"	Flange-end	-	VL-S-B2-F-300-64	254	200	157	20	305	218	500	8-19	3	43.00
6"	Flange-end	-	VL-S-B2-F-300-96	317	235	216	24	403	260	600	12-19	3	-

**Part Number Reference**

Impa Code	Part No	Description
-	VL-S-B2-F-300-08	1/2" 300# SS316 FLANGE END BALL VALVE WITH ISO MOUNTING PAD, FIRE SAFE DESIGN
-	VL-S-B2-F-300-12	3/4" 300# SS316 FLANGE END BALL VALVE WITH ISO MOUNTING PAD, FIRE SAFE DESIGN
-	VL-S-B2-F-300-16	1" 300# SS316 FLANGE END BALL VALVE WITH ISO MOUNTING PAD, FIRE SAFE DESIGN
-	VL-S-B2-F-300-20	1 1/4" 300# SS316 FLANGE END BALL VALVE WITH ISO MOUNTING PAD, FIRE SAFE DESIGN
-	VL-S-B2-F-300-24	1 1/2" 300# SS316 FLANGE END BALL VALVE WITH ISO MOUNTING PAD, FIRE SAFE DESIGN
-	VL-S-B2-F-300-32	2" 300# SS316 FLANGE END BALL VALVE WITH ISO MOUNTING PAD, FIRE SAFE DESIGN
-	VL-S-B2-F-300-40	2 1/2" 300# SS316 FLANGE END BALL VALVE WITH ISO MOUNTING PAD, FIRE SAFE DESIGN
-	VL-S-B2-F-300-48	3" 300# SS316 FLANGE END BALL VALVE WITH ISO MOUNTING PAD, FIRE SAFE DESIGN
-	VL-S-B2-F-300-64	4" 300# SS316 FLANGE END BALL VALVE WITH ISO MOUNTING PAD, FIRE SAFE DESIGN
-	VL-S-B2-F-300-96	6" 300# SS316 FLANGE END BALL VALVE WITH ISO MOUNTING PAD, FIRE SAFE DESIGN