



ENGLISH

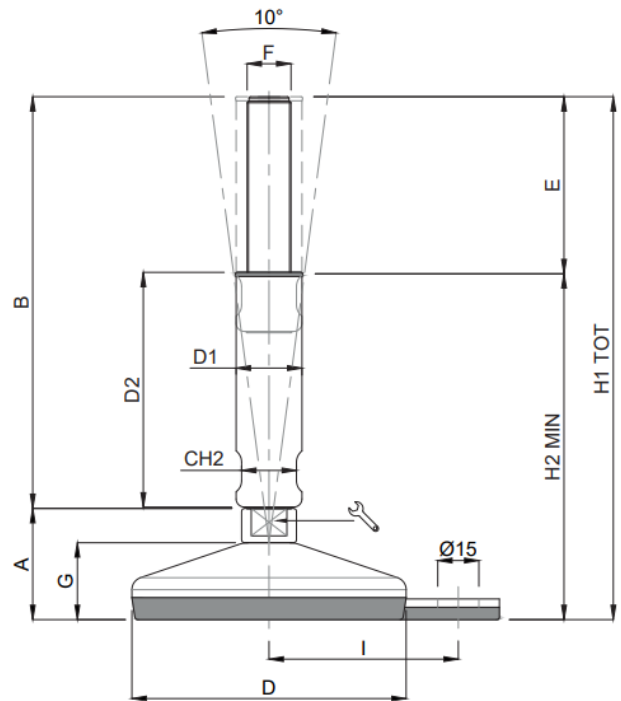
RS PRO Stainless Steel Articulated Bolt Down Hygienic Foot


The RS Pro Height Adjustable mounts have a High-gloss polished AISI 304 stainless steel surface with a vulcanized NBR 85 shore rubber pad and bolt/down option. This range have a 10° articulated half-threadless hygienic stem and a stainless steel thread-covering sleeve making them easy to clean. Mounted with an external top and internal bottom black silicone gasket to prevent dirt intrusion.

USDA Accepted

Typical Applications Include:

- Dairy and Meat Processing
- Hygienic Environments
- Food processing



Article Number	E	F	B	D		G	A	D1	D2	CH2	H2	H1	I	Load (kg)
2378165	65	M20	150	100	17	28	41	30	85	26	128	191	69	1500
2378166	65	M24	150	100	20	28	42	35	85	30	129	192	69	1500
2378167	40	M16	125	60	17	22	35	24	60	20	95	160	45	700
2378168	40	M16	125	80	17	25	38	24	60	20	98	163	54	1000
2378170	65	M16	150	80	17	25	38	24	85	20	123	188	54	1000
2378164	65	M16	150	100	17	28	41	24	85	20	128	191	69	1500