



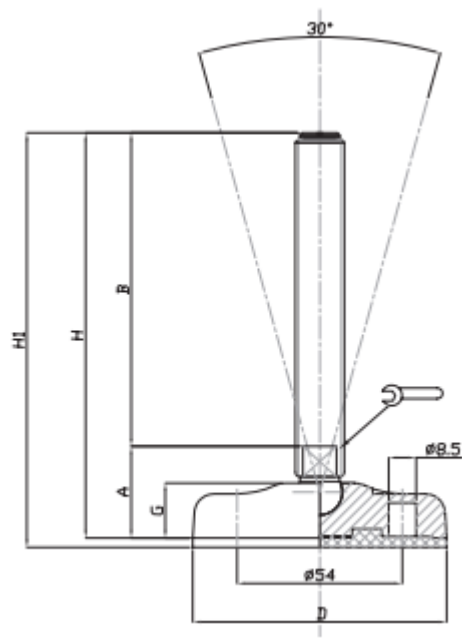
ENGLISH

Mild Steel Plastic Levelling Feet

The RS Pro Height Adjustable mounts are used for levelling and support in many applications including food processing units, packing systems and conveyor systems.

The Plastic Foot base is made from a black polyamide material, reinforced by fiber glass.

These mounts have 30 degree articulation capabilities.



1965327	Plastic Foot with 30 Degree Articulation	34	150	123	M16	22	184	Mild Steel	1800
1965329	Plastic Foot with 30 Degree Articulation	34	200	123	M16	22	234	Mild Steel	1800
1965330	Plastic Foot with 30 Degree Articulation	36	100	123	M20	22	134	Mild Steel	2000
1965331	Plastic Foot with 30 Degree Articulation	36	150	123	M20	22	184	Mild Steel	2000
1965332	Plastic Foot with 30 Degree Articulation	36	200	123	M24	22	234	Mild Steel	2500
1965334	Plastic Foot with 30 Degree Articulation	30	100	83	M10	18	130	Mild Steel	1000
1965336	Plastic Foot with 30 Degree Articulation	30	100	83	M12	18	130	Mild Steel	1300
1965338	Plastic Foot with 30 Degree Articulation	30	150	83	M12	18	180	Mild Steel	1300
1965339	Plastic Foot with 30 Degree Articulation	30	100	83	M16	18	130	Mild Steel	1600
1965341	Plastic Foot with 30 Degree Articulation	30	150	83	M16	18	180	Mild Steel	1600

1965342	Plastic Foot with 30 Degree Articulation	30	200		M16	18	230	Mild Steel	1600
1965344	Plastic Foot with 30 Degree Articulation	32	100	83	M20	18	132	Mild Steel	1800
1965345	Plastic Foot with 30 Degree Articulation	32	150	83	M20	18	182	Mild Steel	1800