

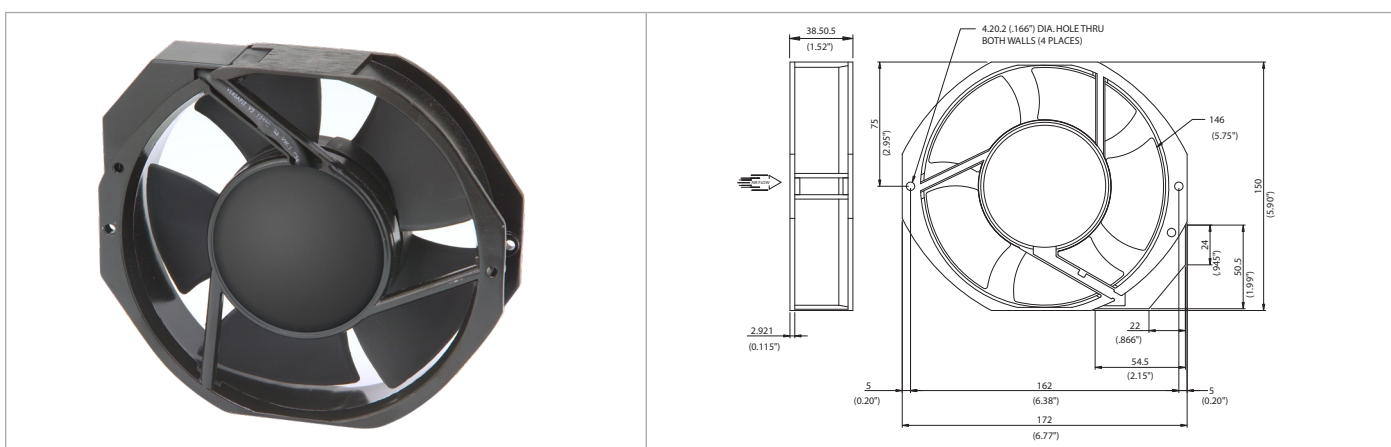


Datasheet

RS PRO AC AXIAL FAN 230VAC 172×150×38mm IP55

Stock number: 175-9786

EN



Frame	Diecast Aluminum	<u>Operating Temperature</u> Ball Bearing -20C ~ +80C Storage Temp -40C ~ +80C	
Impeller	PBT, UL94V-O plastic	<u>Life Expectancy</u> Ball Bearing 60,000 hours (L10 at 40C)	
Connection	Terminals	<u>Environmental Protection</u> IP55	
Motor	Capacitor drive, thermally protected	Weight: ~ 0.725 kg (1.6 lbs.)	
Bearing System	Dual ball	m2	
Insulation Resistance	>100M ohm between lead-wire and frame (500VDC)		
Dielectric Strength	1 min at 1500 VAC, 50/60Hz		

Model Number	175-9786
Nominal Voltage	230 VAC
Voltage Range	160 ~ 260 VAC
Rated Power	28 W
Rated Speed (RPM)	3,400
Airflow - CFM	228
Noise Level - (dB)	58
Max. Static Pressure	0.87" H ₂ O