

# Datasheet

## RS PRO - Aluminium Enclosure - 80 x 108.5 x 45 - Silver

Stock number: 195-1545

EN

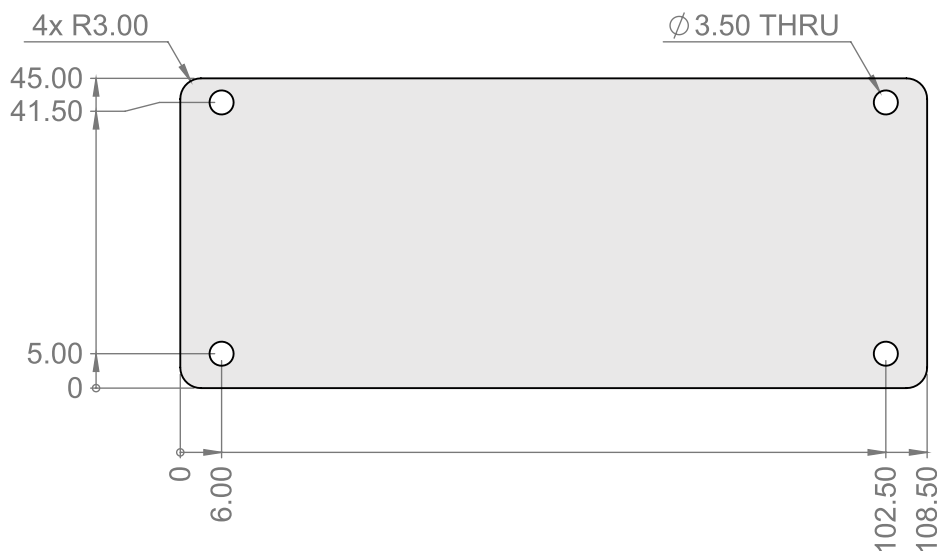
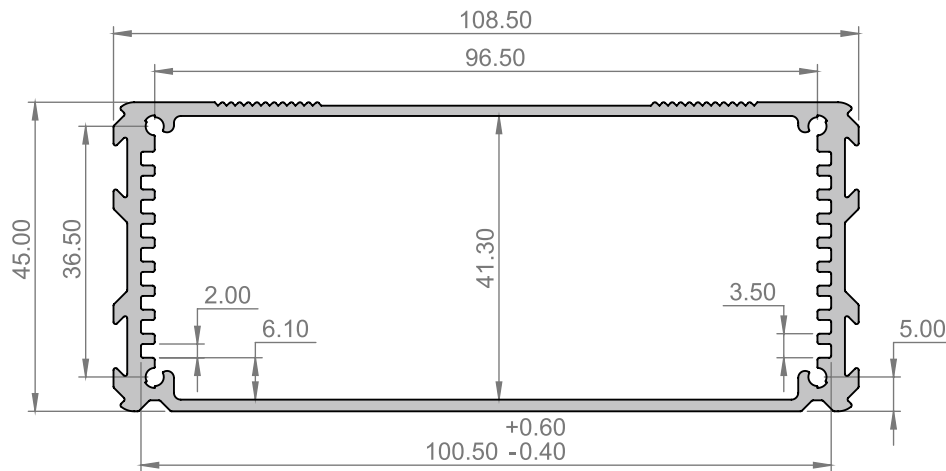


### Features:

- Silver anodised extruded box section to take 100 x 80mm circuit boards
- The maximum height of components on a board in the bottom slot is 33.6mm
- The box features dovetail slots down the side which accept a mounting bracket for surface mounting
- Supplied in kit form

### Kit Contents:

- 1 x Aluminium Extruded Case
- 2 x Aluminium End Plates
- 8 x No4 x 3/8 Plastite screws





# Datasheet

## Product Description:

### RS PRO - Aluminium Enclosure - 80 x 108.5 x 45 - Silver

Brought to you by RS Pro, a range of high quality, robust and versatile extruded aluminium enclosures designed for housing electronics. These enclosures feature integral card slots for easy PCB mounting. All sizes are supplied in a Silver or Black anodised finish. Available with optional mounting lugs.

## Specifications:

	Case	End Plates	Screws
<b>Material</b>	Aluminium 6063	Aluminium 5005	Steel
<b>Finish</b>	Silver Anodised	Raw Aluminium	Zinc
<b>Weight</b>	145.7g	20g (each)	4.9g (8 screws)